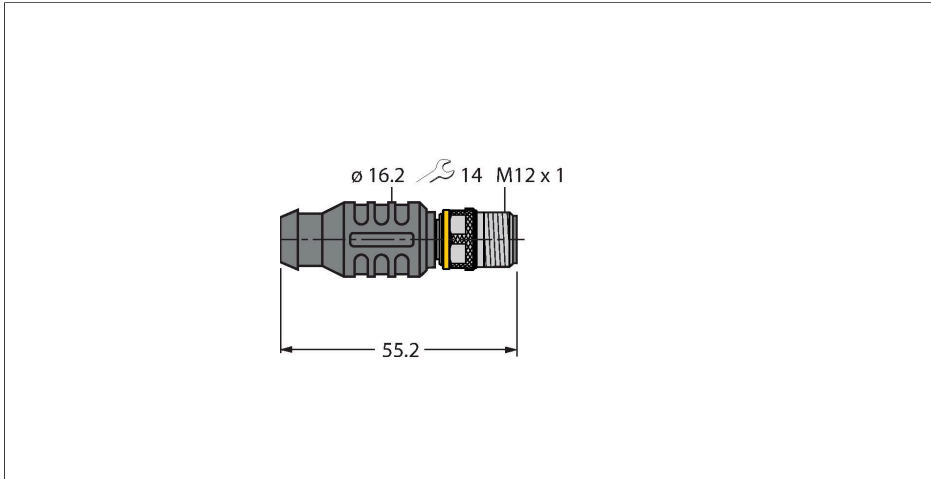


# RSE57-TR2/RFID

## Accessories for Fieldbus Systems – Terminating Resistor to Build an RFID Line Topology



### Technical data

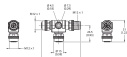
Type	RSE57-TR2/RFID
ID no.	6934908
Connector A	Male, M12 × 1, Straight
Number of Pins	4
Contacts	Brass, CuZn, Gold-plated
Contact carriers	Plastic, TPU, Black
Connector body	Plastic, TPU, Black
Coupling nut/screw	Brass, CuZn, Nickel-plated
Mechanical lifespan	> 100 Mating cycles
Pollution degree	3
Type of protection	IP67, (screwed together)
Ambient temperature range (stationary)	-40 °C...+80 °C

### Features

- M12 male, 4-pin
- 120 Ohm between pin 2 and pin 4
- RoHS-compliant
- Protection class IP67

### Pin Assignment

### Accessories

Dimension drawing	Type	ID no.	
	VT2-FKM5-FKM5-FSM5	6930573	T-splitter to build an RFID line topology