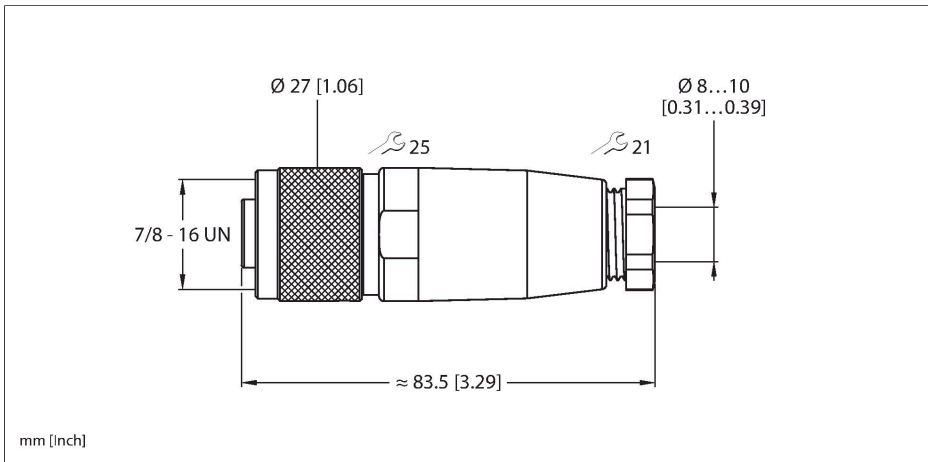


# FW-MRKPM0416-P-S-0810

## Field-Wireable Connector – 7/8" Power

### 7/8" Female, Straight



#### Technical data

Type	FW-MRKPM0416-P-S-0810
ID	6914512
Remark to product	Old designation: B4141-0/11
Connector A	Female, 7/8"-16 UN, Straight
Number of pins	4
Contacts	Metal, CuZn, Gold-plated
Contact carriers	Plastic, TPU, Black
Connector body	Plastic, PA, Black
Coupling nut/screw	Aluminum, Al, Anodized
Seal	Plastic, NBR
Screw-in thread	PG11
External diameter of the cable	8...10 mm
Core cross-section/Clamping ability	0.34...1.5 mm <sup>2</sup>
Connection mode	Screw/clamp connection
Mechanical lifespan	> 100 Mating cycles
Pollution degree	3
Protection class	IP67, Only in screwed condition
<b>Electrical properties at +20 °C</b>	
Rated voltage	250 V
Current	9 A
forward resistance	≤ 5 mΩ
<b>Mechanical and chemical properties</b>	
Ambient temperature (fixed)	-40...+90 °C
Ambient temperature (mobile)	-40...+90 °C

#### Features



- Screw terminal connection
- 4-pin
- PG11 screw-in thread
- Cable feedthrough 8.0 ... 10.0 mm

#### Contact assignment

