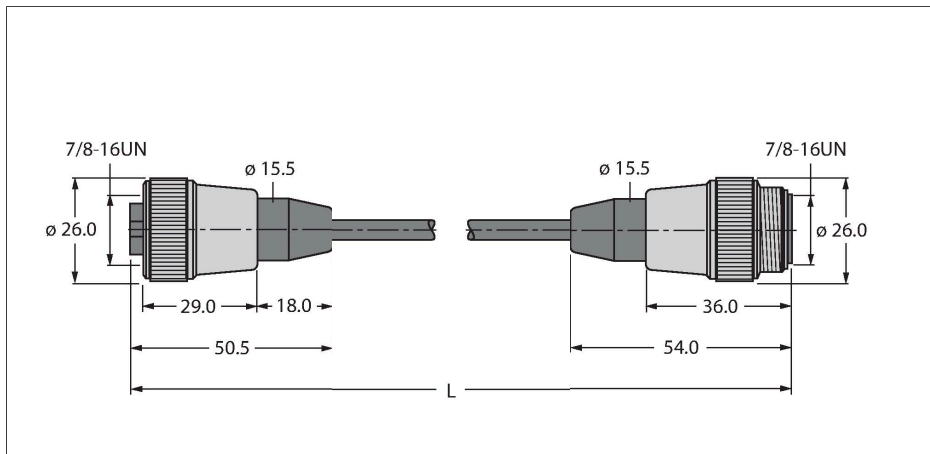


RKM52-2-RSM52

Power Supply Cable, PUR – Extension Cable

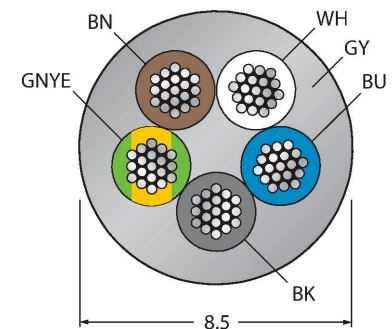


Features



- Power cable: 5 × 1.5 mm²
- Jacket material: PUR, color: gray
- Jacket diameter: 8.5 mm
- Suitable for drag chain use
- Oil resistant and flame retardant
- Halogen free
- 7/8" male, straight
- 7/8" female, straight
- Cable length: 2.0 m

Cable Cross-Section



Contact assignment



Circuit Diagram



Technical data

| | |
|------------------------------|----------------------------------|
| Type | RKM52-2-RSM52 |
| ID | 6914150 |
| Connector A | Female, 7/8"-16 UN, Straight |
| Number of Pins | 4+PE |
| Contacts | Metal, CuZn, Gold-plated |
| Contact carriers | Plastic, TPU, Black |
| Connector body | Plastic, TPU, Black |
| Coupling nut/screw | Brass, CuZn, Nickel-plated |
| Mechanical lifespan | > 100 Mating cycles |
| Pollution degree | 3 |
| Protection class | IP67, Only in screwed condition |
| Connector B | Male, 7/8"-16 UN, Straight |
| Number of pins | 4+PE |
| Contacts | Metal, CuZn, Gold-plated |
| Contact carriers | Plastic, TPU, Black |
| Connector body | Plastic, TPU, Black |
| Coupling nut/retaining screw | Brass, CuZn, Nickel-plated |
| Mechanical life | > 100 Mating cycles |
| Pollution degree | 3 |
| Protection class | IP67, Only when screwed together |
| Cable | |
| Cable diameter | Ø 8.5 mm ±0.30 |
| Cable length | 2 m |
| Cable jacket | PUR, Gray |
| Shielding | no |
| Core insulation | PP |
| Core cross-section | 5 x 1.5 mm ² |

Technical data

| | |
|---|----------------------|
| Arrangement of strands | 84 x 0.15 mm |
| Core cross-section | 1.5 mm ² |
| Core colors | BN, WH, BU, BK, GNYE |
| Electrical properties at +20 °C | |
| Rated voltage | 240 V |
| Test voltage | 500 V |
| Current | 12 A |
| Mechanical and chemical properties | |
| Bending radius (flexible use) | ≥ 10 x Ø |
| Ambient temperature range (stationary) | -40...+90 °C |
| Ambient temperature range (In motion) | 0...+90 °C |
| Ambient temperature during drag chain operation | 0...+90 °C |
| Other Features | |
| Qualified for drag chain use | yes |
| Halogen-free | yes |
| Oil-resistant | yes |
| Flame-retardant | yes |