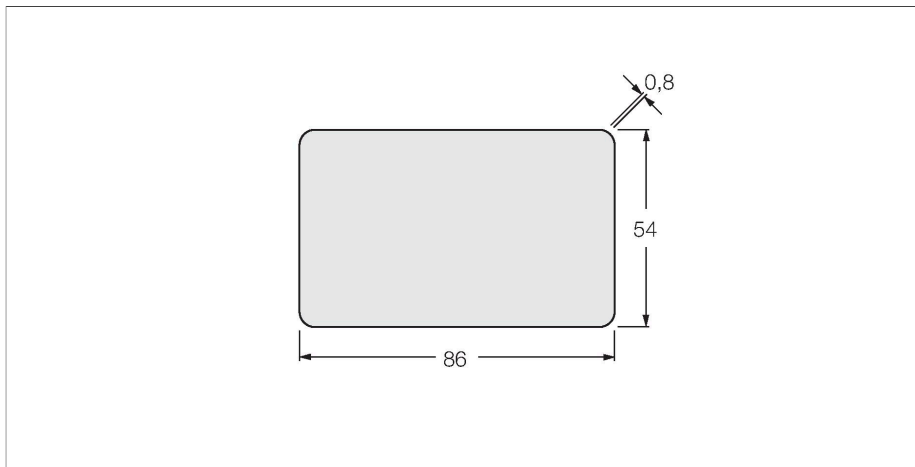


TW-L86-54-C-B128

HF Tag – Smart Card



Technical data

Type	TW-L86-54-C-B128
ID	6900479
Remark to product	credit-card size
Data transfer	Inductive coupling
Technology	HF RFID
Operating frequency	13.56 MHz
Radio communication and protocol standards	ISO 15693 NFC Typ 5
Read/Write distance max.	794 mm
Design	smart card
Housing material	Plastic, PC
Active area material	Plastic, PC
Protection class	IP67
Packaging unit	1

Technical data

Type	TW-L86-54-C-B128
ID	6900479
Remark to product	credit-card size
Data transfer	Inductive coupling
Technology	HF RFID
Operating frequency	13.56 MHz
Memory type	EEPROM
Chip	NXP I-Code SLI-X
Memory size	128 Byte
Memory	Read/Write
Freely usable memory	112 Byte
Number of read operations	unlimited
Number of write operations	10 ⁵

Features

- EEPROM, memory 128 byte
- Not for direct mounting on metal

Functional principle

The HF read/write devices operating at a frequency of 13.56 MHz form a transmission zone the size of which (0...500 mm) varies, depending on the combination of read/write head and tag used.

The read/write distances mentioned here only represent standard values measured under laboratory conditions, free from any influences caused by surrounding materials.

The read/write distances of tags suitable for mounting in/on metal were determined in/on metal.

Attainable distances may vary by up to 30 % due to component tolerances, mounting conditions, ambient conditions and material qualities (especially when mounted in metal). Testing of the application under real operating conditions is therefore essential, especially with on-the-fly reading and writing!

Technical data

Typical read time	2 ms/Byte
Typical write time	3 ms/Byte
Radio communication and protocol standards	ISO 15693 NFC Typ 5
Minimum distance to metal	10 mm
Temperature during read/write access	-25...+50 °C
Temperature outside detection range	-20...+50 °C
Design	smart card
Housing length	86 mm
Housing width	54 mm
Housing material	Plastic, PC
Active area material	Plastic, PC
Protection class	IP67
Packaging unit	1