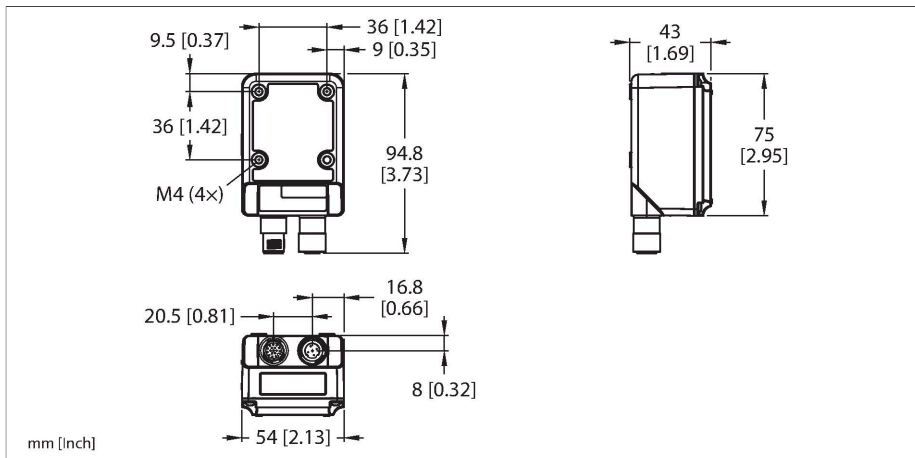


ABR7112-RSE2

Barcode Reader — Scanner



Features

- Camera-based barcode reader, 1D/2D codes
- 1.3-MP resolution, 1280 × 1024
- 12-mm lens
- Integrated lighting, red
- Operating voltage 10...30 VDC
- Three PNP/NPN switching outputs, selectable via software
- Industrial Ethernet: PROFINET, EtherNet/IP, Modbus/TCP
- Serial interface, RS232/RS422
- Compact aluminum housing
- Protection class IP67

Functional principle

Camera-based barcode readers reliably capture 1D and 2D barcodes in any orientation. The ABR product series offers code-reading solutions that reliably decode hard-to-read codes, damaged codes and low-quality codes, as well as codes printed on highly reflective surfaces. The compact design with IP67 protection class offers reliable use in industrial environments. With resolutions of up to 2 MP, multiple lighting configurations, lens focal distances and autofocus, the ABR product series can handle even the most demanding track-and-trace applications. The barcode readers can be quickly configured via the Barcode Manager software, as well as with the integrated Quick Teach button.

The configuration options via Industrial Ethernet and serial interfaces simplify device integration and enable IIoT data recording.

Technical data

| | |
|-------------------------|--|
| Type | ABR7112-RSE2 |
| ID | 3804444 |
| Camera data | |
| Function | Barcode reader - scanner |
| Image sensor | CMOS |
| Resolution | 1280 × 1024 pixels |
| Frame rate | 60 fps |
| Light type | Red |
| Brennweite | 12 mm |
| Special features | Wash down |
| Electrical data | |
| Operating voltage U_B | 10...30 VDC |
| Communication protocol | EtherNet/IP FTP Modbus TCP PROFINET RS232 RS422 |
| Output function | PNP/NPN |
| Power on display | LED, Blue |
| Switching state | LED, Green |
| Error indication | LED, red |
| Mechanical data | |
| Design | Rectangular, ABR |
| Dimensions | 54 x 43 x 75 mm |
| Housing material | Metal, AL |
| Electrical connection | 17-wire |
| Ambient temperature | 0...+50 °C |

Technical data

Protection class IP67

Tests/approvals