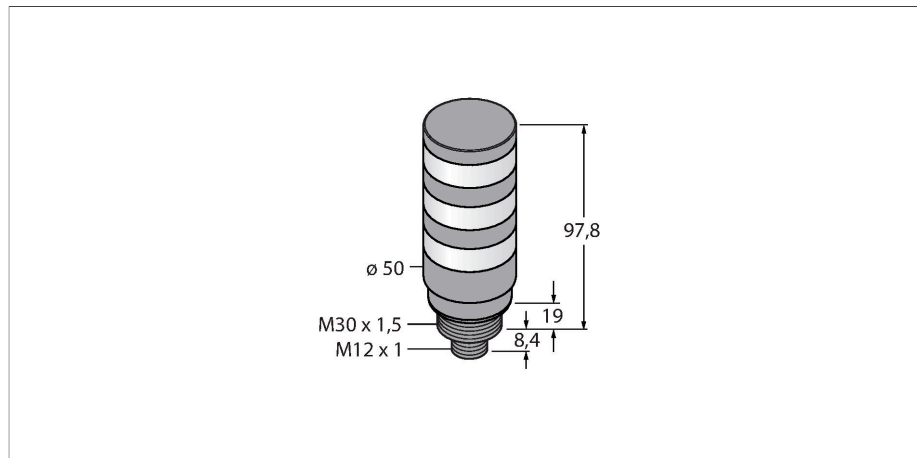


TL50BLGY1R26PQK-804204

LED Indicator – Tower Light



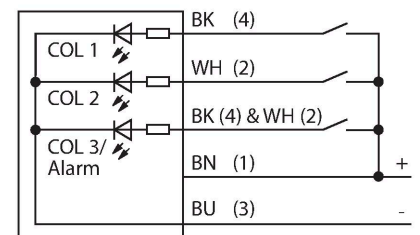
Features

- Black plastic housing
- Protection class IP67
- EMI and RFI immune
- Male M12x1
- Colors: Green (COL 1)/Yellow rotating (COL 2)/Red flashing (COL 3)
- Operating voltage: 18...30 VDC or 24 VAC
- Integrated microcontroller
- Compatible with IO block
- Activation of the 3 colors via pin 2 and 4
- Inputs: PNP/NPN
- Kit includes SMBAMS30RA mounting bracket plus the following bolts and nuts:
 - 1 x flanged socket button screw, M6 x 12 Torx
 - 1 x 10M6 slot nut
 - 2 x M4 x 28 cylinder screw
 - 2 x 10M4 slot nut

Technical data

Type	TL50BLGY1R26PQK-804204
ID	3804204
Signal and display data	
Purpose	LED indicator light
Function	Tower light
Light type	Green Yellow Red
Dimmable	No
Electrical data	
Operating voltage	12...30 VDC
DC rated operational current	≤ 125 mA
Operating voltage	21...27 VAC
AC rated operational current	≤ 100 mA
Communication protocol	IO-Link
Input type	PNP
Response time typical	< 1 ms
IO-Link	
IO-Link specification	V 1.1
Communication mode	COM 2 (38.4 kBaud)
Process data width	16 bit
Frame type	Type_2_2
Function pin 4	IO-Link
Maximum cable length	20 m
Included in the SIDI GSDML	Yes
Mechanical data	
Cascadable	No

Wiring diagram



Functional principle

The rugged multifunction TL50 beacon is available in many variations and is easily mounted. Each signal tower can be assembled from a maximum of four varicolored LEDs, with or without a beeper. You can also choose from three different lighting functions (steady, rotating, flashing). The lighting function is indicated in the type code after the color (no number: steady; 1: rotating; 2: flashing). Clearly visible status displays for indoor and outdoor applications. The wiring diagram shows a PNP pin assignment.

5 colors are available, blue (B), green (G), red (R), yellow (Y) and white (W), which specify the light sequence from bottom to top in the type designation of the tower light. Example: TL50GYRQ, designates the colors green, yellow and red from bottom to top.

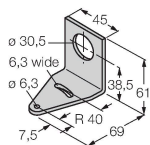
Technical data

Design	Cylinder, threaded, TL50BL
Dimensions	Ø 50 x 106.2 mm
Housing material	Plastic, ABS
Window material	Acrylic, clear
Electrical connection	Connector, M12 × 1
Ambient temperature	-40...+50 °C
Protection class	IP67
Tests/approvals	
Approvals	CE, UL listed

Accessories

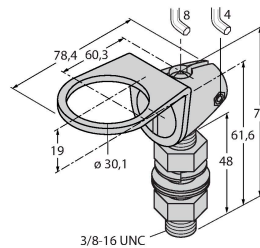
SMB30A 3032723

Mounting bracket, rectangular, stainless steel, for sensors with 30mm thread



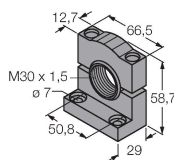
SMB30FA 3074005

Montagewinkel; Werkstoff VA 1.4401



SMB30SC 3052521

Mounting bracket, PBT black, for sensors with 30 mm thread, rotatable



Accessories

Dimension drawing	Type	ID	
	RKC4.4T-2/TEL	6625013	Connection cable, M12 female connector, straight, 4-pin, cable length: 2 m, jacket material: PVC, black; cULus approval



Dimension drawing

Type
WKC4.4T-2/TELID
6625025Connection cable, M12 female
connector, angled, 4-pin, cable length:
2 m, jacket material: PVC, black; cULus
approval