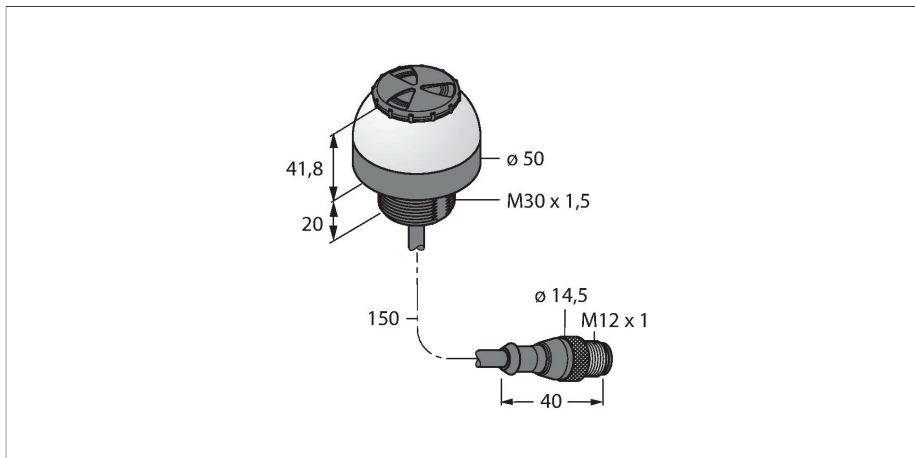


K50L2RGBKALSQP

LED Indicator – Beacon with Audible Signal



Features

- LED all-round visible
- Continuous signal: 94dB
- Individually controllable
- Mechanical screw-in thread M30x1.5
- Protection classes IP67/IP69K
- Up to 12 predefined colors or millions of customized colors can be displayed
- Flashing function, alternation, two-colored displays and intensity check
- Cable with male end M12 x 1, 5-pin
- Operating voltage 12...30 VDC

Wiring diagram



Functional principle

The LED is IP67 / IP69k rated and qualified for indoor and outdoor applications. Depending on the connection, one of the two colors lights steady for the duration of a PNP input signal.

Technical data

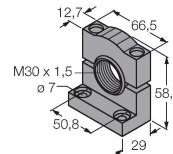
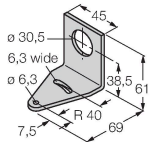
Type	K50L2RGBKALSQP
ID	3802165
Signal and display data	
Purpose	LED indicator light
Function	Spotlight
Light type	RGB
Dimmable	Programmable
Features of color 1	RGB, Can be set via IO-Link
Acoustic signal	Key adjustable, 94 dB
Special features	Wash down
Electrical data	
Operating voltage	12...30 VDC
DC rated operational current	≤ 65 mA
Max. current consumption per color	150 mA
Max. current consumption of beeper	220 mA
Communication protocol	IO-Link
Input type	Communication protocol
Response time typical	< 30 ms
IO-Link	
IO-Link specification	V 1.1
Communication mode	COM 2 (38.4 kBaud)
Process data width	16 bit
Frame type	Type_2_2
Function pin 4	IO-Link
Maximum cable length	20 m
Included in the SIDI GSDML	Yes

Technical data

Mechanical data	
Cascadable	No
Design	Dome, K50L
Dimensions	Ø 50 x 62 mm
Housing material	Plastic, PC Thermoplastic material, Black
Window material	Polycarbonate, diffuse
Electrical connection	Cable with connector, M12 × 1, 0.15 m, PVC
Number of cores	4
Ambient temperature	-20...+50 °C
Relative humidity	0...90 %
Protection class	IP66 IP67 IP69
Tests/approvals	
Approvals	CE, UL listed

Accessories

SMB30A	3032723	SMB30SC	3052521
Mounting bracket, rectangular, stainless steel, for sensors with 30mm thread		Mounting bracket, PBT black, for sensors with 30 mm thread, rotatable	



Accessories

Dimension drawing	Type	ID	
	RKC4.4T-2/TEL	6625013	Connection cable, M12 female connector, straight, 4-pin, cable length: 2 m, jacket material: PVC, black; cULus approval
	WKC4.4T-2/TEL	6625025	Connection cable, M12 female connector, angled, 4-pin, cable length: 2 m, jacket material: PVC, black; cULus approval

Dimension drawing	Type	ID	
	RKC4.5T-2/TEL	6625016	Connection cable, M12 female connector, straight, 5-pin, cable length: 2 m, jacket material: PVC, black; cULus approval
	WKC4.5T-2/TEL	6625028	Connection cable, M12 female connector, angled, 5-pin, cable length: 2 m, jacket material: PVC, black; cULus approval