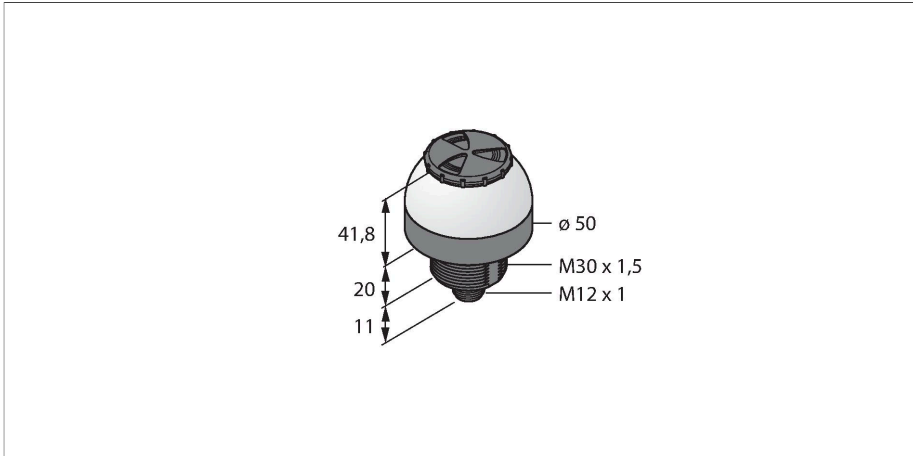


# K50L2RGBKALSQ

## LED Signal Light – Beacon with Audible Signal



### Technical data

Type	K50L2RGBKALSQ
ID	3802164
<b>Signal and display data</b>	
Purpose	LED indicator light
Function	Spotlight
Light type	RGB
Dimmable	Programmable
Features of color 1	RGB, Can be set via IO-Link
Acoustic signal	Key adjustable, 94 dB
Special features	Wash down
<b>Electrical data</b>	
Operating voltage $U_B$	12...30 VDC
DC rated operating current $I_o$	≤ 65 mA
Max. current consumption per color	150 mA
Max. current consumption of beeper	220 mA
Communication protocol	IO-Link
Input type	Communication protocol
Response time typical	< 30 ms
<b>IO-Link</b>	
IO-Link specification	V 1.1
Communication mode	COM 2 (38.4 kBaud)
Process data width	16 bit
Frame type	Type_2_2
Function pin 4	IO-Link
Maximum cable length	20 m
Included in the SIDI GSDML	Yes

### Features

- LED all-round visible
- Continuous signal: 94dB
- Individually controllable
- Mechanical screw-in thread M30 x 1.5
- Protection class IP67
- Up to 12 predefined colors or millions of customized colors can be displayed
- Flashing function, alternation, two-colored displays and intensity check
- Male M12 x 1, 5-pin
- Operating voltage 12...30 VDC

### Wiring diagram



### Functional principle

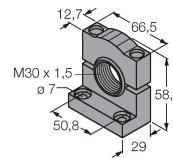
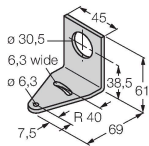
These lights have RGB LEDs. Using IO-Link, 1 of up to 12 predefined colors can be activated or 1 of up to 1,000,000 desired colors can be set using X and Y coordinates. The functions include a flashing function, intensity check and animations such as rotation, alternation and two-colored displays. The major advantage of these LEDs is the color fidelity and luminance. Compared to their predecessors, a large number of variants can be produced with just a single light.

## Technical data

Mechanical data	
Cascadable	No
Design	Dome, K50L
Dimensions	Ø 50 x 73 mm
Housing material	Plastic, PC Thermoplastic material, Black
Window material	Polycarbonate, diffuse
Electrical connection	Connector, M12 × 1, PVC
Number of cores	4
Ambient temperature	-20...+50 °C
Relative humidity	0...90 %
Protection class	IP66 IP67
Tests/approvals	
Approvals	CE, UL listed

## Accessories

SMB30A	3032723	SMB30SC	3052521
	Mounting bracket, rectangular, stainless steel, for sensors with 30mm thread		Mounting bracket, PBT black, for sensors with 30 mm thread, rotatable



## Accessories

Dimension drawing	Type	ID	
	RKC4.4T-2/TEL	6625013	Connection cable, M12 female connector, straight, 4-pin, cable length: 2 m, jacket material: PVC, black; cULus approval
	WKC4.4T-2/TEL	6625025	Connection cable, M12 female connector, angled, 4-pin, cable length: 2 m, jacket material: PVC, black; cULus approval

Dimension drawing	Type	ID	
	RKC4.5T-2/TEL	6625016	Connection cable, M12 female connector, straight, 5-pin, cable length: 2 m, jacket material: PVC, black; cULus approval
	WKC4.5T-2/TEL	6625028	Connection cable, M12 female connector, angled, 5-pin, cable length: 2 m, jacket material: PVC, black; cULus approval