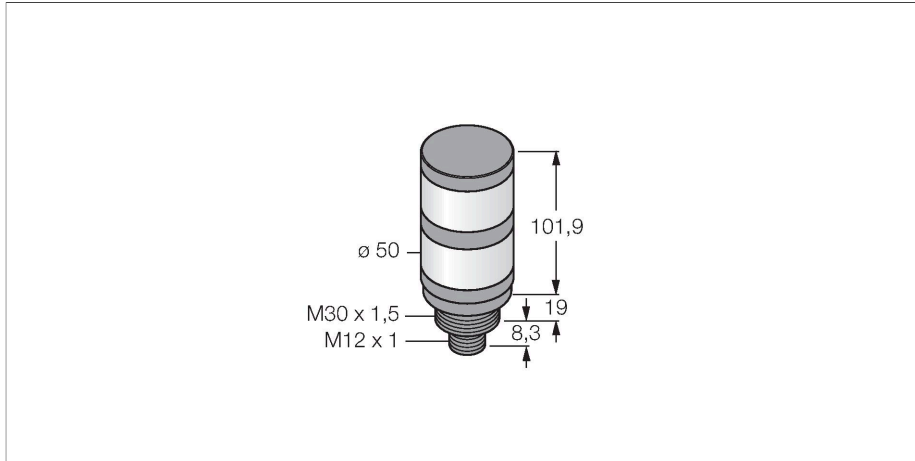


# TL50GRKQ

## LED Signal Light – Tower Light



### Technical data

Type	TL50GRKQ
ID	3801282
<b>Signal and display data</b>	
Purpose	LED indicator light
Function	Tower light
Light type	Green Red
Dimmable	No
Features of color 1	Green, Programmable, 31 lm
Features of color 2	Red, Can be set via IO-Link, 13 lm
<b>Electrical data</b>	
Operating voltage $U_B$	18...30 VDC
DC rated operating current $I_e$	≤ 45 mA
Operating voltage $U_B$	21...27 VAC
AC rated operational current	≤ 45 mA
Max. current consumption per color	70 mA
Communication protocol	IO-Link
Input type	Communication protocol
Response time typical	< 10 ms
<b>IO-Link</b>	
IO-Link specification	V 1.1
Communication mode	COM 2 (38.4 kBaud)
Process data width	16 bit
Frame type	Type_2_2
Function pin 4	IO-Link
Maximum cable length	20 m
Included in the SIDI GSDML	Yes

### Features

- Plastic housing, black
- EMI and RFI immune
- Protection class IP67
- M12 × 1 male connector
- Parameterizable via IO-Link

### Wiring diagram



### Functional principle

The TL50 tower lights provide highly visible status indicators and a clear user guidance within the entire system. They can be assembled from varicolored LEDs and are available with or without beeper. You can mount them directly on machines, in the cabinet or in monitoring locations of production lines.

The wiring diagram shows a PNP pin assignment.

There are 10 colors available blue (B), green (G), red (R), yellow (Y), white (W), turquoise (T), orange (O), violet (V), sky blue (S) and magenta (M), which specify the light sequence from bottom to top in the type code of the tower light. Example: TL50GYRQ, colors green, yellow and red arranged from bottom to top.

## Technical data

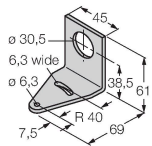
Mechanical data	
Cascadable	No
Design	Smooth barrel, TL50
Dimensions	Ø 50 x 129.2 mm
Housing material	Plastic, ABS, Black
Window material	Polycarbonate, diffuse
Electrical connection	Connector, M12 × 1, PVC
Number of cores	4
Ambient temperature	-40...+50 °C
Relative humidity	0...95 %
Protection class	IP67
Tests/approvals	
Approvals	CE, UL listed

## Accessories

SMB30A

3032723

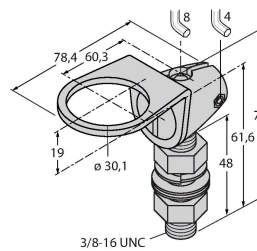
Mounting bracket, rectangular, stainless steel, for sensors with 30mm thread



SMB30FA

3074005

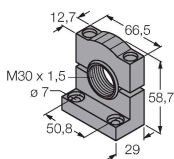
Montagewinkel; Werkstoff VA 1.4401



SMB30SC

3052521

Mounting bracket, PBT black, for sensors with 30 mm thread, rotatable



## Accessories

Dimension drawing	Type	ID	
	RKC4.4T-2/TEL	6625013	Connection cable, M12 female connector, straight, 4-pin, cable length: 2 m, jacket material: PVC, black; cULus approval



## Dimension drawing

## Type

WKC4.4T-2/TEL

## ID

6625025

Connection cable, M12 female connector, angled, 4-pin, cable length: 2 m, jacket material: PVC, black; cULus approval

