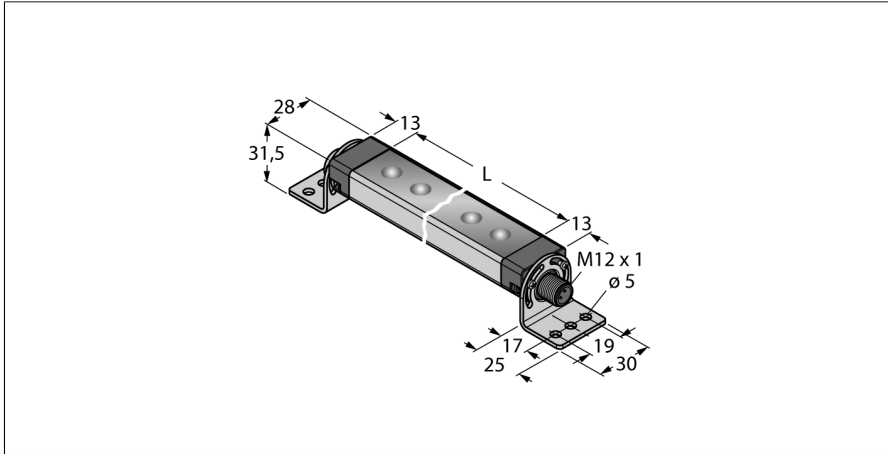


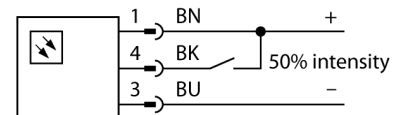
LED Linear Light In the Metal Housing WLS28-2XWW850DSQ



- Light beam: 850mm
- Operating voltage: 12...30 VDC
- Protection class: IP67 / IP69K
- Color: White
- M12 x 1 male, straight, 4-pin
- SMBWLS28RA mounting bracket included in delivery

Type	WLS28-2XWW850DSQ
ID	3800807
Signal and display data	
Purpose	LED work light
Function	Linear light
Light type	White
Color temperature	2900...+3200K
Luminous flux lumen	1950 lm
Aperture angle degree	60 °
Beam angle	wide beam 40-80°
LED service life (L70)	50000 h
Dimmable	Two-stage
Features of color 1	White, Permanently on, 1800 lm
Special features	Wash down

Wiring Diagram



Electrical data	
Operating voltage U_s	12...30 VDC
DC rated operating current I_s	≤ 2130 mA
Input power	25.56 W

Functional principle

The low-energy LED work lights are ideally suited for industrial applications. The color temperature is between 6,000 and 7,100 Kelvin (cool white). Depending on the model, the luminous flux is 325 or 2600 lumen. Some work lights are switched on/off via supply power (10...30 VDC) and some types by means of a button directly at the LED lamp. In addition, the LED can be dimmed to 50% of its light output by activating a high signal on PIN 4, or for the variants with a switch, by means of a further switch position. On some models the light output is continuously dimmable via a PWM signal on pin 4. Cascadable variants are also available. Variants with a clear or diffuse plastic windows, as well as with an aperture angle of 25°.

Application note:

Cascading with 12 V supply allows total light length of 1.4 m. Cascading with 24 V supply allows total light length of 3.0 m. Cascading

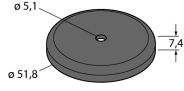
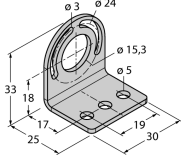
Mechanical data	
Cascadable	No
Design	Rectangular, WLS28-2
Housing material	Metal, AL
Window material	Polycarbonate, diffuse
Electrical connection	Connector, M12 x 1, PVC
Number of cores	4
Ambient temperature	-40...+70 °C
Storage temperature	-40...+70 °C
Relative humidity	0...90%
Protection class	IP65 IP67 IP69

Tests/approvals	
Approvals	CE, UL

with 30 V supply allows total light length of 3.1 m.

At 50% light intensity, the length specifications should be doubled.

Accessories

Type code	Ident no.		Dimension drawing
SMBWLSMAG	3019574	Magnetic fixture for mounting work lights and sensors, 2 pieces	
SMBWLS28RA	3015764	Mounting bracket, angled, metal, for WLS28 work lights, 5 mm drill holes, screw set included	
SMBWLS28SP	3088063	Snap bracket for mounting WLS28 work lights	