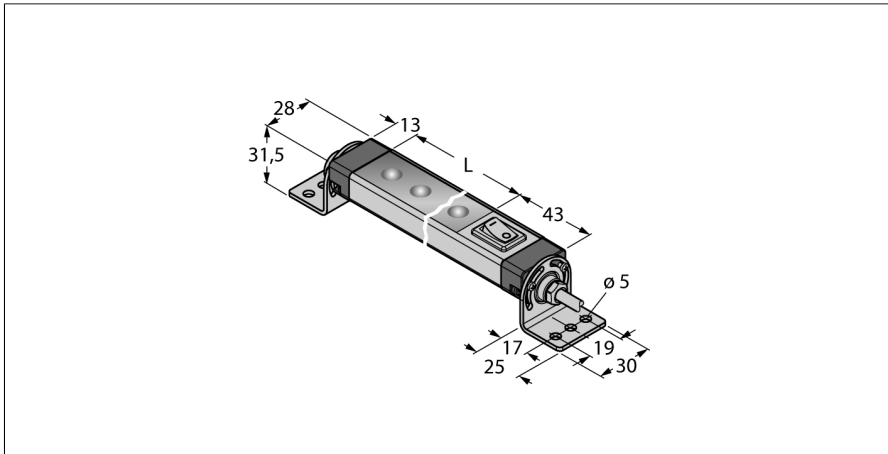
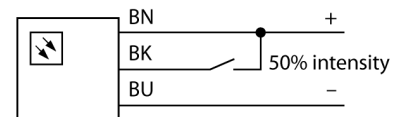


LED Linear Light In the Metal Housing WLS28-2XWW430XPB



- ON/OFF switch
- Light beam: 430mm
- Operating voltage: 12...30 VDC
- Protection class: IP50
- Color: White
- Cable, 2m
- SMBWLS28RA mounting bracket included in delivery

Wiring Diagram



Type	WLS28-2XWW430XPB
ID	3095706

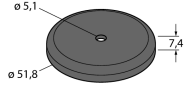
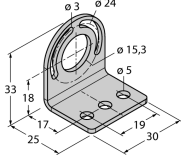
Signal and display data	
Purpose	LED work light
Function	Linear light
Light type	White
Color temperature	2900...+3200K
Luminous flux lumen	975 lm
Aperture angle degree	60 °
Beam angle	wide beam 40-80°
LED service life (L70)	50000 h
Dimmable	Two-stage
Features of color 1	White, Permanently on, 1200 lm

Electrical data	
Operating voltage U_s	12...30 VDC
DC rated operating current I_s	≤ 1010 mA
Input power	12.12 W

Mechanical data	
Cascadable	No
Design	Rectangular, WLS28-2
Housing material	Metal, AL
Window material	Polycarbonate, clear
Electrical connection	Cable, 2 m, PVC
Number of cores	3
Ambient temperature	-40...+70 °C
Storage temperature	-40...+70 °C
Relative humidity	0...90%
Protection class	IP50

Tests/approvals	
Approvals	CE, UL

Accessories

Type code	Ident no.		Dimension drawing
SMBWLSMAG	3019574	Magnetic fixture for mounting work lights and sensors, 2 pieces	
SMBWLS28RA	3015764	Mounting bracket, angled, metal, for WLS28 work lights, 5 mm drill holes, screw set included	
SMBWLS28SP	3088063	Snap bracket for mounting WLS28 work lights	