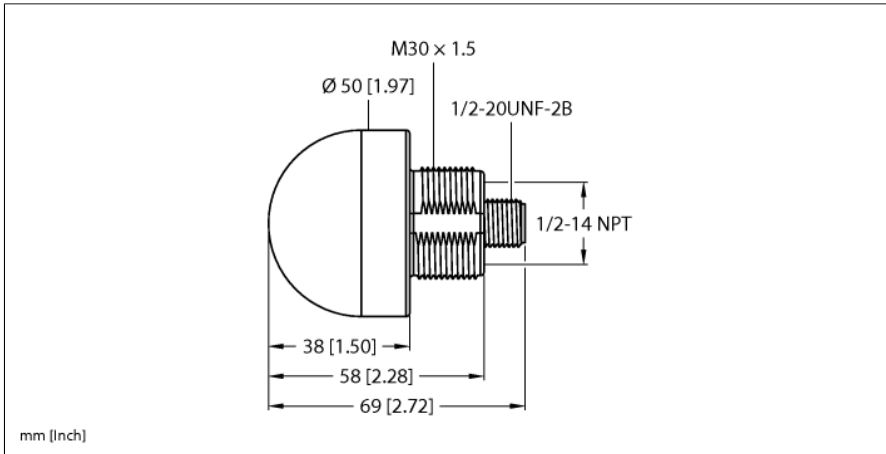


# LED Signal Light Beacon K50LGXXA120Q



Type	K50LGXXA120Q
ID	3095163

Signal and display data	
Purpose	LED indicator light
Function	Spotlight
Light type	Green
LED service life (L70)	50000 h
Dimmable	No
Features of color 1	Green, Permanently on
Special features	Wash down

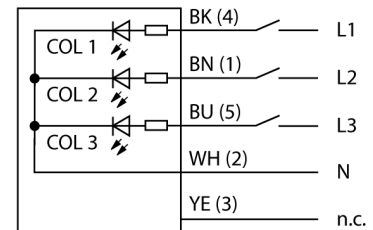
Electrical data	
Operating voltage $U_o$	85...130VAC
Max. current consumption per color	15 mA
Output function	NO contact, Potential-free
Input type	AC
Response time typical	< 1 ms

Mechanical data	
Cascadable	No
Design	Dome, K50L
Dimensions	Ø 50 x 69 mm
Housing material	Plastic, PC, Black
Window material	Polycarbonate, diffuse
Electrical connection	Connector, 1/2-20UNF-2B
Number of cores	5
Ambient temperature	-40...+50 °C
Relative humidity	0...90%
Protection class	IP67 IP69

Tests/approvals	
MTTF	249 years acc. to SN 29500 (Ed. 99) 40 °C
Approvals	CE, UL listed

- All-round LED display
- Individually controllable
- Mechanical screw-in thread M30 x 1.5
- Protection classes IP67/IP69K
- Monochrome: Green (COL 1)
- Male connector 1/2-20UNF-2B
- Operating voltage 85...130 VAC

### Wiring Diagram



## Accessories

Type code	Ident no.		Dimension drawing
SMB30A	3032723	Mounting bracket, rectangular, stainless steel, for sensors with 30mm thread	
SMB30SC	3052521	Mounting bracket, PBT black, for sensors with 30 mm thread, rotatable	