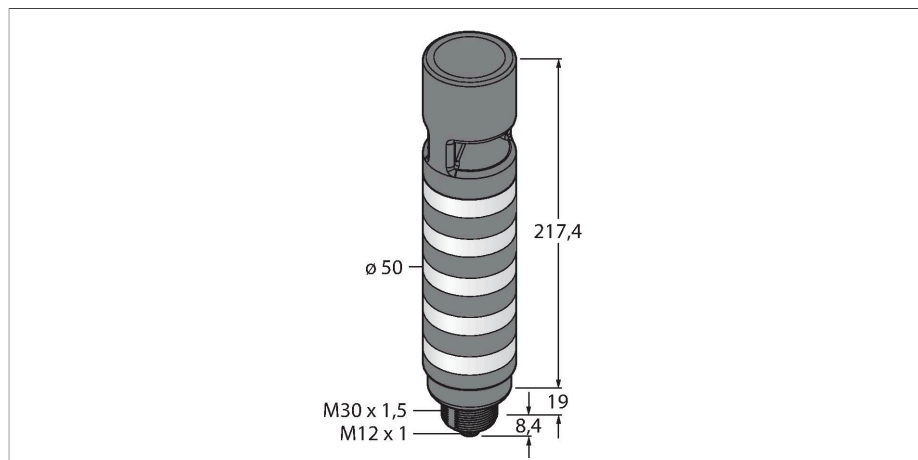


# TL50CWGBYRAOSCQ

## LED Indicator – Compact Signal Tower



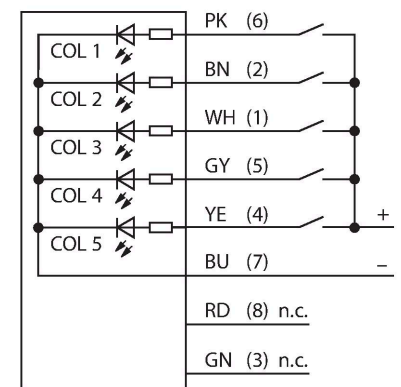
### Features

- Plastic housing, gray
- Protection against electromagnetic and high-frequency interference
- Protection class IP67
- M12 × 1 male, 8-pin
- Multicolor: White (COL 1) / Green (COL 2) / Blue (COL 3) / Yellow (COL 4) / Red (COL 5)
- Operating voltage: Operating voltage 12...30 VDC or 21...27 VAC with 135 mA per LED color
- Inputs: PNP/NPN
- Beeper: Omnidirectional, sealed, continuous tone max. 99 dB

### Technical data

Type	TL50CWGBYRAOSCQ
ID	3094077
<b>Signal and display data</b>	
Purpose	LED indicator light
Function	Tower light
Light type	White Green Blue Yellow Red
Dimmable	No
Features of color 1	White, Permanently on, 25 lm
Features of color 2	Green, Permanently on, 27 lm
Features of color 3	Blue, Permanently on, 4.5 lm
Features of color 4	Yellow, Permanently on, 6 lm
Features of color 5	Red, Permanently on, 9 lm
Acoustic signal	Continuous tone, 99 dB
<b>Electrical data</b>	
Operating voltage	12...30 VDC
DC rated operational current	≤ 180 mA
Operating voltage	21...27 VAC
Max. current consumption per color	135 mA
Max. current consumption of beeper	45 mA
Input type	Bipolar (PNP/NPN)22
Response time typical	< 10 ms
<b>Mechanical data</b>	
Cascadable	No
Design	Smooth barrel, TL50C

### Wiring diagram



### Functional principle

The TL50C compact signal tower is a mixture of the TL50 Beacon and the TL50 high brightness models in a shorter design and ensures highly visible status indicators and a clear user guidance within the entire system. They can be assembled from varicolored LEDs and are available with or without beeper. You can mount them directly on machines, in the cabinet or in monitoring locations of production lines.

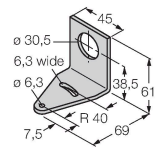
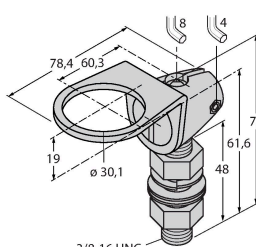
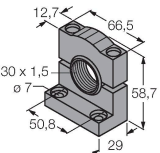
The wiring diagram shows a PNP pin assignment.

There are 10 colors available blue (B), green (G), red (R), yellow (Y), white (W), turquoise (T), orange (O), violet (V), sky blue (S) and magenta (M), which specify the light sequence from bottom to top in the type code of the tower light. Example: TL50CGYRQ indicates the colors green, yellow and red from bottom to top

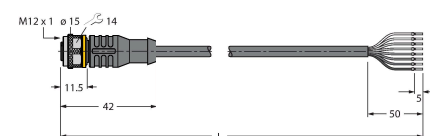
## Technical data

Dimensions	Ø 50 x 244.9 mm
Housing material	Plastic, ABS, Grey
Window material	Polycarbonate, diffuse
Electrical connection	Connector, M12 × 1, PVC
Number of cores	8
Ambient temperature	-20...+50 °C
Relative humidity	0...95 %
Protection class	IP67
<b>Tests/approvals</b>	
Approvals	CE, UL listed

## Accessories

<p><b>SMB30A</b></p> 	<p><b>3032723</b></p> <p>Mounting bracket, rectangular, stainless steel, for sensors with 30mm thread</p>	<p><b>SMB30FA</b></p> 	<p><b>3074005</b></p> <p>Montagewinkel; Werkstoff VA 1.4401</p>
<p><b>SMB30SC</b></p> 	<p><b>3052521</b></p> <p>Mounting bracket, PBT black, for sensors with 30 mm thread, rotatable</p>		

## Accessories

Dimension drawing	Type	ID	
	<p>RKC8T-2/TEL</p>	<p>6625130</p>	<p>Connection cable, M12 female connector, straight, 8-pin, cable length: 2 m, jacket material: PVC, black; cULus approval</p>

## Dimension drawing

## Type

WKC8T-2/TEL

## ID

6625133

Connection cable, M12 female connector, angled, 8-pin, cable length: 2 m, jacket material: PVC, black; cULus approval

