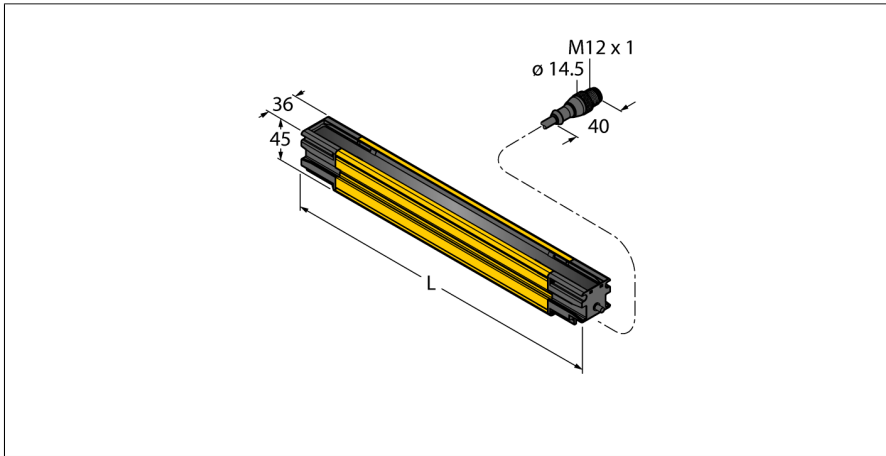


Safety Light Curtain Emitter SLLE14-910P5



Type	SLLE14-910P5
ID	3088709

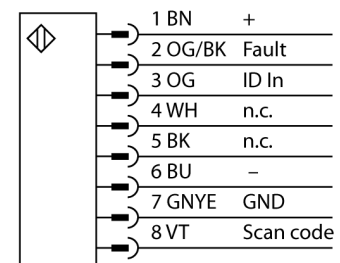
Optical data	
Function	Light screen
Light type	IR
Optical resolution	14 mm
Range	100...12000 mm
Scan field	910 mm
Number of beams	104
With muting function	No
Scan Code	Not adjustable

Electrical data	
Operating voltage U_s	20.4...27.6 VDC
DC rated operating current I_s	≤ 26 mA
Short-circuit protection	yes
Reverse polarity protection	yes
Insulation class	III
Response time typical	< 26.9 ms
Blanking function	yes

Mechanical data	
Design	Rectangular, EZ-Screen LS
Housing material	Metal, AL, Yellow polyester
Lens	acrylic, Plastic
Cascadable	No
Electrical connection	Cable with connector, M12 \times 1, 0.3 m
Number of cores	5
Core cross-section	0.25 mm ²
Ambient temperature	-20...+55 °C
Protection class	IP65 IP67

- Rugged housing
- Protection class IP67
- Diagnosis display for status and error indication
- Scan field L: 910 mm
- Optical Alignment aid
- No blind zone
- Range: 0.1...12 m
- Resolution: 14 mm
- Operating voltage: 24 VDC
- Safety light curtain type 4 acc. to IEC 61496-1 and 61496-2
- Category 4 Ple acc. to EN ISO 13849-1
- SIL 3 acc. to IEC 61508 SIL 3 and CL3 acc. to IEC 62061
- Shock and vibration resistant acc. to IEC 61496-1

Wiring Diagram



Functional principle

The self-monitoring safety light screens with redundant switching outputs are available in lengths up to 1.8 m and resolutions of 14, 23 or 40 mm. The devices are available individually or in pairs and are synchronized optically - a physical connection between transmit-

Tests/approvals	
Vibration resistance	10-55 Hz bei 0,35 mm
Shock test	10 g bei 16 ms (6000 Zyklen)
Approvals	CE, cULus, PL e acc. to EN ISO 13849-1:2008, SIL 3 acc. to IEC 61508

ter and receiver is not necessary. For versions with cascading no further configuration is necessary. The setting is made automatically. Up to 4 couples of any length and resolution can be connected together. The dual scan of each receiver provides immunity against EMI, radio wave, ambient or strobe lights and welding sparks. All recipients have no restart interlock – an automatic reset is performed. If required individual beams can be hidden.

The robust and sealed housing is ideally suited for industrial use. Status and error code can be read out in case of need via the diagnostic display. For easy mounting, LEDs indicate the proper alignment of each segment.