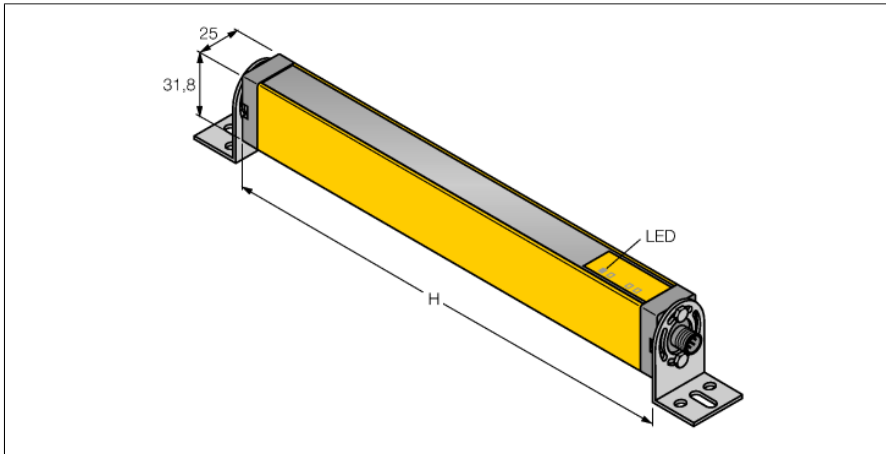


Safety Light Curtain Receiver

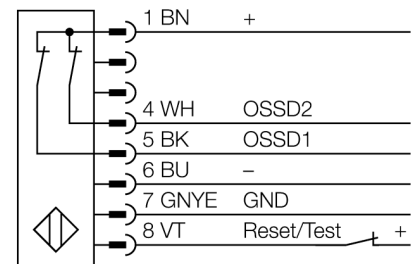
LS2LR30-1650Q8



- M12 × 1 male connector, 8-pin
- Protection class IP65
- Scan field 1650 mm
- Resolution 30 mm
- Internal testing in 500-ms cycle
- Range 15 m
- Operating voltage 24 VDC ± 15 %
- Switching output with restart interlock (LATCH)
- Muting is not supported
- Type 2 acc. to IEC 61496-1, -2; category 2
PL d acc. to EN ISO 13849-1; SIL 2 acc. to IEC 61508

Type	LS2LR30-1650Q8
ID	3077252
Optical data	
Function	Light screen
Optical resolution	30 mm
Range	200...15000 mm
Scan field	1650 mm
Number of beams	88
With muting function	No
Scan Code	None
Electrical data	
Operating voltage U_s	20...28 VDC
Residual ripple	< 15 % U_s
DC rated operating current I_s	≤ 90 mA
No-load current I_0	≤ 90 mA
Max. current safe output	500 mA
Output function	2 x NC contact, 2 x PNP
Number of safe semiconductor outputs	2
Insulation class	III
Response time typical	< 27 ms
With restart interlock	yes
Blanking function	no
Mechanical data	
Design	Rectangular, EZ-Screen
Housing material	Metal, AL, Yellow polyester
Lens	plastic, Acrylic
Cascadable	No
Electrical connection	Connector, M12 × 1
Number of cores	8
Ambient temperature	0...+55 °C
Protection class	IP65
Power-on indication	LED, Green
Switching state	LED, Red

Wiring Diagram



Functional principle

The safety light curtain consists of an emitter and a receiver. As the system is optically synchronized, no wiring between the emitter and receiver is required. The safety switching outputs of the receiver are directly connected to a load relay and trigger an immediate stop of dangerous machine cycles. Due to the 2-channel design of the switching device, the requirements of personnel safety type 2 acc. to IEC 61496 and category 2 acc. to EN 954-1 are fulfilled.

Tests/approvals	
Vibration resistance	10-55 Hz at 0.35 mm
Shock test	10 g at 16 ms (6000 cycles)
Approvals	CE, cULus listed