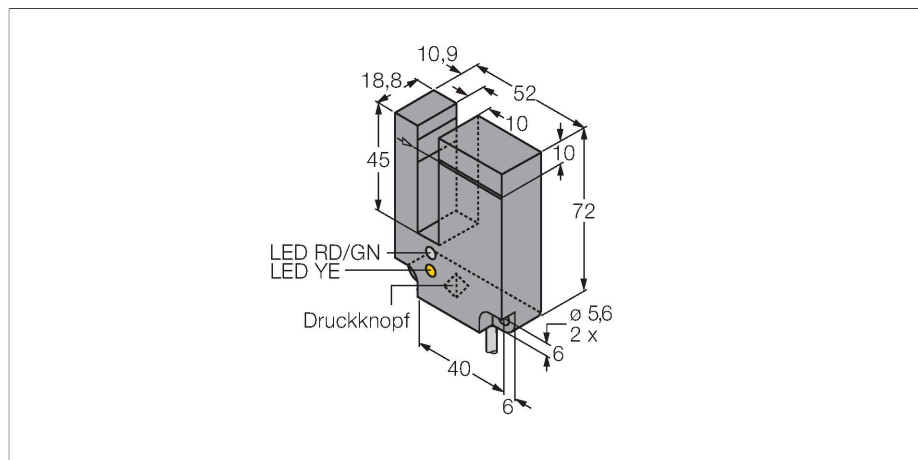


SLE10B6V

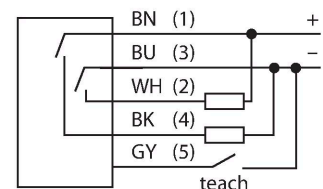
Photoelectric Sensor – Bifurcated Retroreflective Sensor



Features

- Cable, PVC, 2 m, 5-wire
- Protection class IP67
- Slot width 10 mm
- Sensitivity adjusted via teach button
- Operating voltage: 10...30 VDC
- Switching output, bipolar
- Light or dark operation

Wiring diagram



Technical data

Type	SLE10B6V
ID	3060380
Optical data	
Function	Slot sensor
Operating mode	Emitter/receiver pair
Light type	Red
Wavelength	680 nm
Range	10 mm
Slot width	10 mm
Electrical data	
Operating voltage	10...30 VDC
Residual ripple	< 10 % U _{ss}
No-load current	≤ 45 mA
Short-circuit protection	yes
Reverse polarity protection	yes
Output function	NO contact, PNP/NPN
Switching frequency	1 kHz
Readiness delay	≤ 1000 ms
Response time typical	< 0.5 ms
Setting option	Push Button Remote Teach
Mechanical data	
Design	Fork, SL10
Dimensions	72 x 18.8 x 52 mm
Housing material	Plastic, Thermoplastic material, Black
Lens	plastic, Acrylic
Electrical connection	Cable, 2 m, PVC

Technical data

Number of cores	5
Core cross-section	0.5 mm ²
Ambient temperature	-20...+70 °C
Relative humidity	0...90 %
Protection class	IP67
Power-on indication	LED, Green
Switching state	LED, Yellow
Excess gain indication	LED, red
Alarm display	LED yellow Flashing
Tests/approvals	
Approvals	CE

Accessories

SMBSL	3058335
	Mounting bracket, for LS10 and LS30, wall mounting, 304 stainless steel, screw set included in delivery