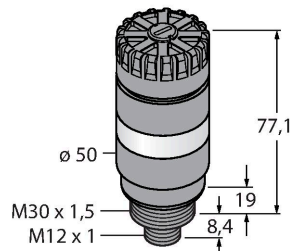


TL50BLY1AQ

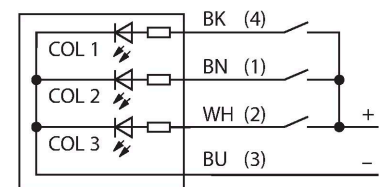
LED Signal Light – Tower Light



Features

- Plastic housing, black
- Protection class IP50
- EMI and RFI immune
- Monochrome: Yellow rotating (COL 1)
- Operating voltage: 12...30 VDC or 24 VAC with 45 mA per LED color
- Inputs: PNP/NPN
- Beeper max. 92 dB

Wiring diagram



Functional principle

The rugged multifunction TL50 beacon is available in many variations and is easily mounted. Each signal tower can be assembled from a maximum of four varicolored LEDs, with or without a beeper. You can also choose from three different lighting functions (steady, rotating, flashing). The lighting function is indicated in the type code after the color (no number: steady; 1: rotating; 2: flashing). Clearly visible status displays for indoor and outdoor applications. The wiring diagram shows a PNP pin assignment.

5 colors are available, blue (B), green (G), red (R), yellow (Y) and white (W), which specify the light sequence from bottom to top in the type designation of the tower light. Example: TL50GYRQ, designates the colors green, yellow and red from bottom to top.

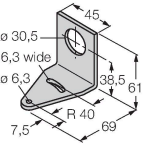
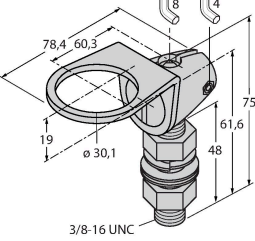
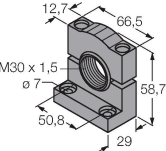
Technical data

| | |
|------------------------------------|-------------------------|
| Type | TL50BLY1AQ |
| ID | 3028465 |
| Signal and display data | |
| Purpose | LED indicator light |
| Function | Tower light |
| Light type | Yellow, rotating |
| Dimmable | No |
| Features of color 1 | Yellow, Rotating, 15 lm |
| Acoustic signal | Continuous tone, 92 dB |
| Electrical data | |
| Operating voltage U_B | 12...30 VDC |
| DC rated operating current I_e | ≤ 125 mA |
| Operating voltage U_B | 21...27 VAC |
| AC rated operational current | ≤ 100 mA |
| Max. current consumption per color | 125 mA |
| Max. current consumption of beeper | 25 mA |
| Input type | Bipolar (PNP/NPN) |
| Response time typical | < 1 ms |
| Mechanical data | |
| Cascadable | No |
| Design | Smooth barrel, TL50BL |
| Dimensions | Ø 50 x 104.5 mm |
| Housing material | Plastic, ABS, Black |
| Window material | Polycarbonate, clear |
| Electrical connection | Connector, M12 × 1, PVC |
| Number of cores | 4 |
| Ambient temperature | -20...+50 °C |

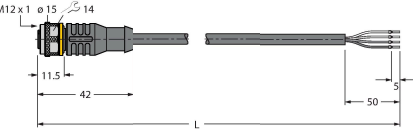
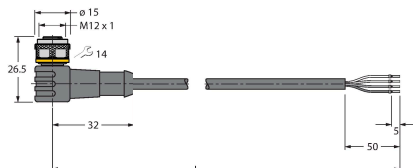
Technical data

| | |
|------------------------|---------------|
| Relative humidity | 0...95 % |
| Protection class | IP50 |
| Tests/approvals | |
| Approvals | CE, UL listed |

Accessories

| | | | | | |
|---|---------|--|---------|---------|------------------------------------|
| SMB30A | 3032723 | Mounting bracket, rectangular, stainless steel, for sensors with 30mm thread | SMB30FA | 3074005 | Montagewinkel; Werkstoff VA 1.4401 |
|  | |  | | | |
| SMB30SC | 3052521 | Mounting bracket, PBT black, for sensors with 30 mm thread, rotatable | | | |
|  | | | | | |

Accessories

| Dimension drawing | Type | ID | |
|---|---------------|---------|---|
|  | RKC4.4T-2/TEL | 6625013 | Connection cable, M12 female connector, straight, 4-pin, cable length: 2 m, jacket material: PVC, black; cULus approval |
|  | WKC4.4T-2/TEL | 6625025 | Connection cable, M12 female connector, angled, 4-pin, cable length: 2 m, jacket material: PVC, black; cULus approval |