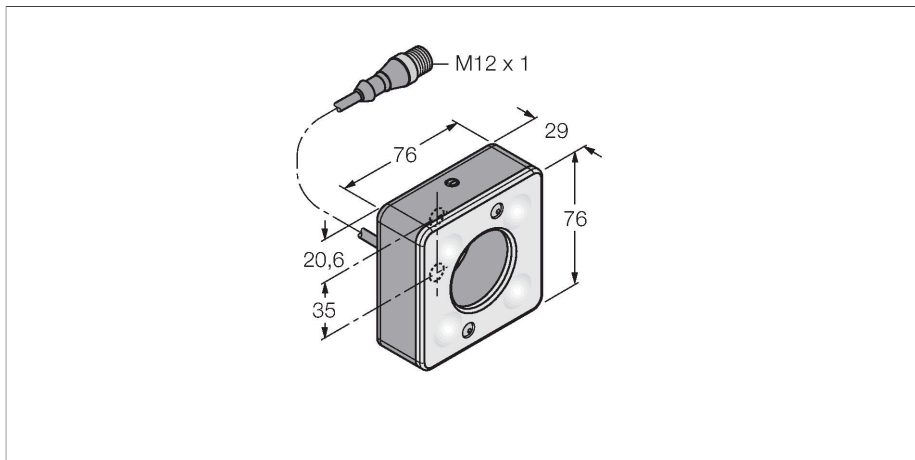


# LEDWR70XD5-XQ

## Vision System – ring light



### Features

- High-Intensity
- Protection class: IP50
- Color: white
- Power supply: 24 VDC
- Pigtail M12x1, 0.15 m

### Wiring diagram



### Functional principle

Directly mounted to the sensor for easy setup. Illumination of objects directly in front of the sensor.

### Technical data

Type	LEDWR70XD5-XQ
ID	3017253
<b>Signal and display data</b>	
Purpose	Image processing
Function	Area light
Light type	White
Color temperature	5000...+8300 K
LED service life (L70)	50000 h
Features of color 1	White
<b>Electrical data</b>	
Operating voltage $U_b$	24 VDC
DC rated operating current $I_o$	≤ 350 mA
Max. current consumption per color	350 mA
<b>Mechanical data</b>	
Design	Rectangular
Dimensions	76.2 x 76.2 x 38.7 mm
Housing material	Metal, Anodized AL
Window material	Acrylic, diffuse
Electrical connection	Connector, M12 × 1, 0.15 m, PVC
Number of cores	5
Ambient temperature	0...+50 °C
Protection class	IP50
<b>Tests/approvals</b>	
Approvals	CE, cULus listed