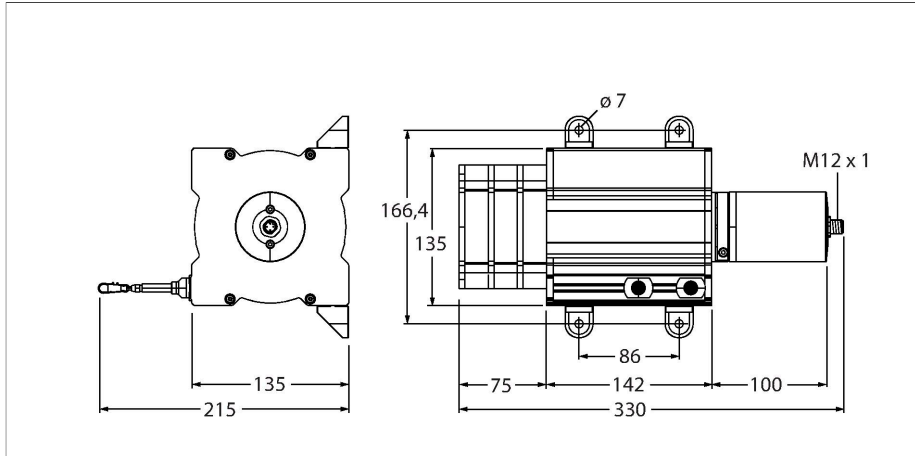


# DW30000-135-PA-H1441

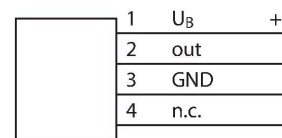
## Draw-Wire



### Features

- Measuring range up to 30000mm
- M12 connector
- Protection class: IP65 (Encoder)
- Potentiometric output 1k Ohm
- Supply voltage max. 30 VDC

### Wiring diagram



### Technical data

Type	DW30000-135-PA-H1441
ID	1544569
<b>General data</b>	
Measuring range	30000 mm
Linearity deviation	≤ 0.1 %
<b>Electrical data</b>	
Operating voltage U <sub>B</sub>	0...30 VDC
Short-circuit protection	yes
Wire break/reverse polarity protection	yes
Output function	4-pin, Potentiometer
<b>Mechanical data</b>	
Design	Draw Wire
Housing material	Titanium anodized aluminium
min. extension force	7.3 N
max. extension force	15.7 N
max. extension speed	5 m/s
Pull acceleration max.	60 m/s <sup>2</sup>
wire material	Stainless steel
Electrical connection	Connector, M12 × 1
<b>Environmental conditions</b>	
Ambient temperature	-20...+85 °C
Protection class	IP65

Signal	+U <sub>B</sub>	Slider	Gnd	-	-	-	-	-	-
Pin configuration	1	2	3	4	-	-	-	-	-

## Accessories

RDR-1

1544753

Deflection roller for aluminium draw-wire sensors

