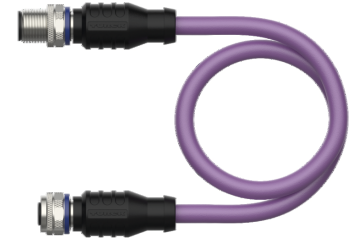
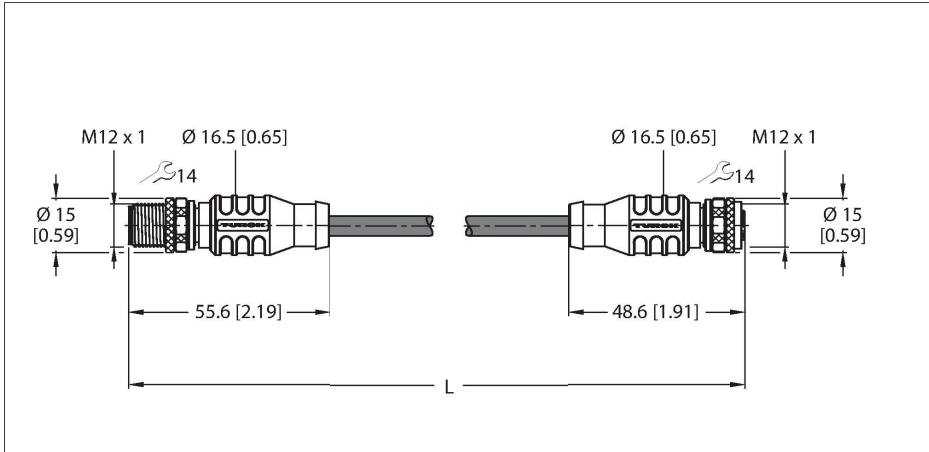


RSSW-RKSW-X2X-20M

PROFIBUS Cable – PUR Cable Jacket



Technical data

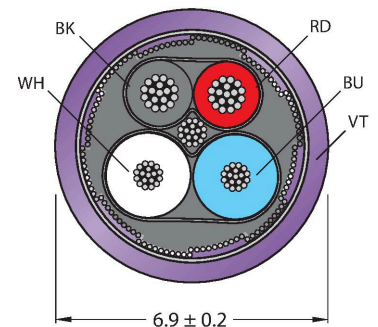
Type	RSSW-RKSW-X2X-20M
ID	100048931
Connector A	Male, M12 × 1, Straight, B-coded
Number of pins	5
Contacts	Metal, CuZn, Gold-plated
Contact carriers	Plastic, TPU, Black
Connector body	Plastic, TPU, Black
Coupling nut/screw	Brass, CuZn, Nickel-plated
Tightening torque (range)	0.8 ... 1 Nm (observe max. torque of mating connector!)
Mechanical lifespan	> 100 Mating cycles
Pollution degree	3
Protection class	IP67, Only in screwed condition
Connector B	Female, M12 × 1, Straight, B-coded
Number of Pins	5
Contacts	Metal, CuZn, Gold-plated
Contact carriers	Plastic, TPU, Black
Connector body	Plastic, PUR, Black
Coupling nut/retaining screw	Brass, CuZn, Nickel-plated
Seal	Plastic, FPM/FKM
Tightening torque	0.8 ... 1 Nm (observe max. torque of mating connector!)
Mechanical life	> 100 Mating cycles
Pollution degree	3
Protection class	IP67, Only when screwed together
Cable	
Network protocol	PROFIBUS-DP

Features

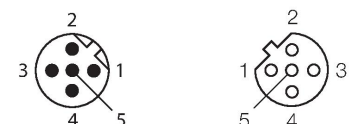


- Jacket material: PUR
- Jacket color: violet
- Shielding: overlapping aluminum foil, tinned copper wire
- Jacket diameter: 6.9 mm
- Suitable for drag chain use
- Halogen free
- RoHS compliant
- M12 female, straight, reverse-keyed
- M12 male connector, straight, reverse-keyed
- Cable length: 20 m

Cable Cross-Section



Contact assignment



Technical data

Cable diameter	Ø 6.9 mm ±0.20
Cable length	20 m
Cable jacket	PUR, Violet
Shielding	yes
Core cross-section	2 x 0.25 mm ²
Core cross-section	2x 0.34 mm ²
Core colors	RD, BK, WH, BU
Electrical properties at +20 °C	
Rated voltage	250 V
Test voltage	3000 V
Current	4 A
DC resistance (loop)	120 Ω/km
Mechanical and chemical properties	
Bending radius (stationary installation)	≥ 5 x Ø
Bending radius (flexible use)	≥ 10 x Ø
Bending cycles	≥ 2.5 million
Ambient temperature (fixed)	-50...+80 °C
Ambient temperature (mobile)	-50...+80 °C
Other Features	
Qualified for drag chain use	yes
Halogen-free	yes

Circuit Diagram

