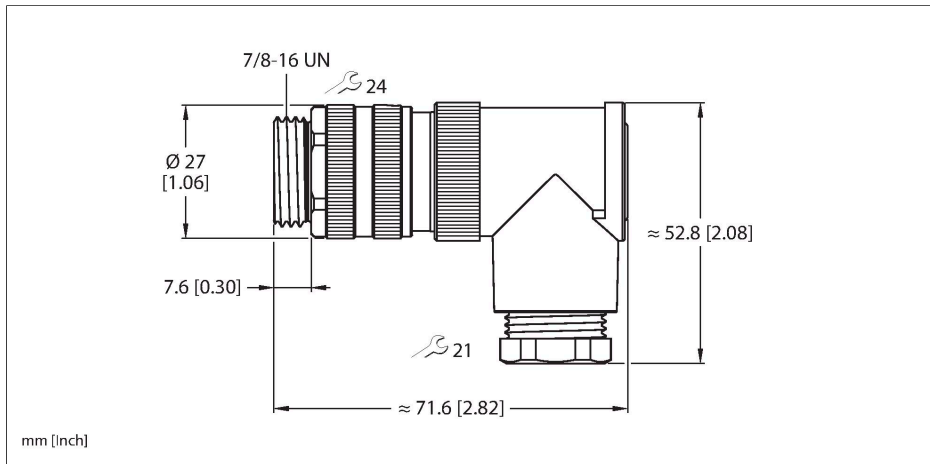


FW-MWSPM0514-P-S-1012

Field-Wireable Connector

7/8" Male Connector, Angled

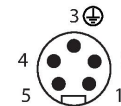


Features



- For use in DeviceNet and CANopen applications as well as for power supply
- Screw terminal connection
- 5-pin

Contact assignment



Technical data

Type	FW-MWSPM0514-P-S-1012
ID	100048525
Connector A	Male, 7/8"-16 UN, Angled
Number of pins	5
Contacts	Metal, CuZn, Gold-plated
Contact carriers	Plastic, PUR, Black
Connector body	Plastic, PBT, Black
Coupling nut/screw	Die-cast Zinc, GD-Zn, Nickel-plated
External diameter of the cable	10...12 mm
Core cross-section/Clamping ability	0.5...2.5 mm ²
Connection mode	Screw/clamp connection
Mechanical lifespan	> 50 Mating cycles
Pollution degree	3
Protection class	IP67, Only in screwed condition
Electrical properties at +20 °C	
Rated voltage	600 V
Current	9 A
Mechanical and chemical properties	
Ambient temperature (fixed)	-25...+85 °C