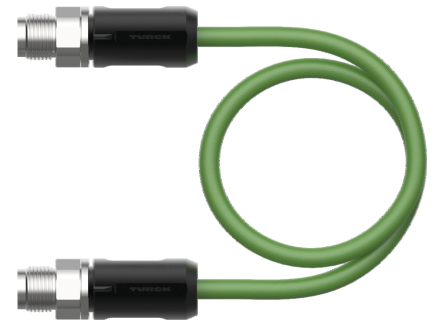
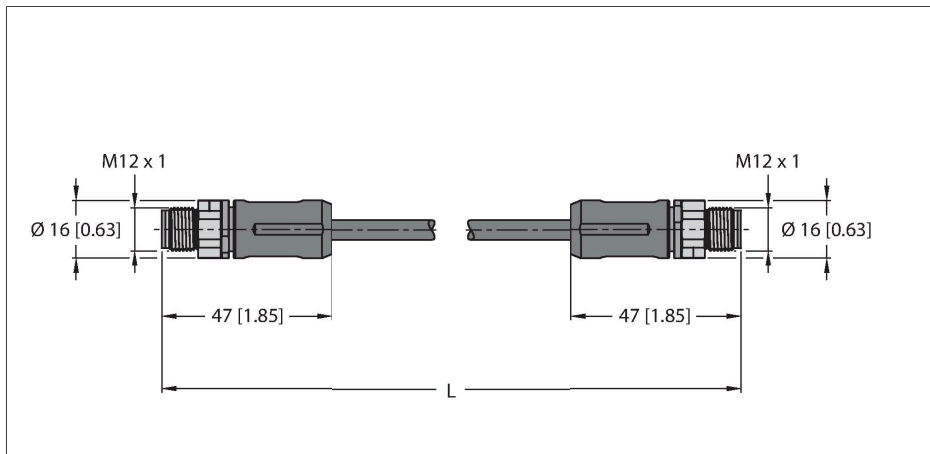


RSSX-RSSX-8814-8M

Industrial Ethernet Cable – Extension Cable



Technical data

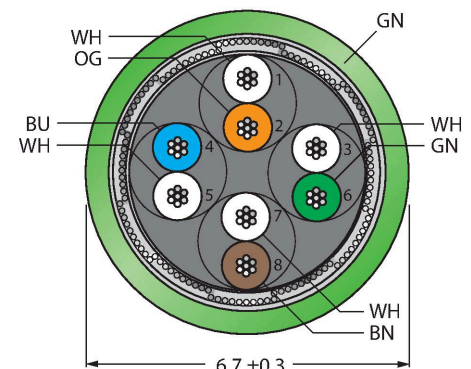
Type	RSSX-RSSX-8814-8M
ID	100048048
Connector A	Male, M12 × 1, Straight, X-coded
Number of pins	8
Contacts	Metal, CuZn, Gold-plated
Contact carriers	Plastic, PA, UL 94, Black
Connector body	Plastic, TPU, UL 94, Black
Coupling nut/screw	Brass, CuZn, Nickel-plated
Tightening torque (range)	0.4 ... 0.6 Nm (observe max. torque of mating connector!)
Mechanical lifespan	> 100 Mating cycles
Pollution degree	3/2
Protection class	IP67, Only in screwed condition
Connector B	Male, M12 × 1, Straight, X-coded
Number of Pins	8
Contacts	Metal, CuZn, Gold-plated
Contact carriers	Plastic, PA, UL 94, Black
Connector body	Plastic, TPU, UL 94, Black
Coupling nut/retaining screw	Brass, CuZn, Nickel-plated
Tightening torque	0.4 ... 0.6 Nm (observe max. torque of mating connector!)
Mechanical life	> 100 Mating cycles
Pollution degree	3/2
Protection class	IP67, Only when screwed together
Cable	
Network protocol	Ethernet
Cable diameter	Ø 8.9 mm ±0.30

Features



- Ethernet cable: 8-pin, AWG 26, CAT 6A
- Jacket material: PUR
- Jacket color: green
- Jacket diameter: 6.7 mm
- Twisted pair, shielded
- Oil resistant acc. to DIN EN 60811-404 (7 × 24 h/90 °C)
- UV resistant
- Flame retardant acc. to IEC 60332-2
- Approval: cULus
- RoHS compliant (2011/65/EC)
- M12 male connector, straight, X-coded
- M12 male connector, straight, X-coded
- Cable length: 8.0 m

Cable Cross-Section



Contact assignment

Technical data

Cable length	8 m
Cable jacket	PUR, Green
Shielding	yes
Core insulation	PE
Core cross-section	8 x 0.14 mm ²
Arrangement of strands	0.16 mm
Core colors	WH(OG) OG;WH(GN) GN;WH(BN) BN;WH(BU) BU
Electrical properties at +20 °C	
Rated voltage	48 V
Test voltage	700 V
Current	0.5 A
Mechanical and chemical properties	
Bending radius (stationary installation)	≥ 5 x Ø
Bending radius (flexible use)	≥ 10 x Ø
Ambient temperature (fixed)	-40...+80 °C
Ambient temperature (mobile)	-40...+80 °C
Other Features	
Qualified for drag chain use	yes
PVC-free	yes
UV resistance	yes
Oil-resistant	yes
Flame-retardant	yes
Approvals	cULus



Circuit Diagram

