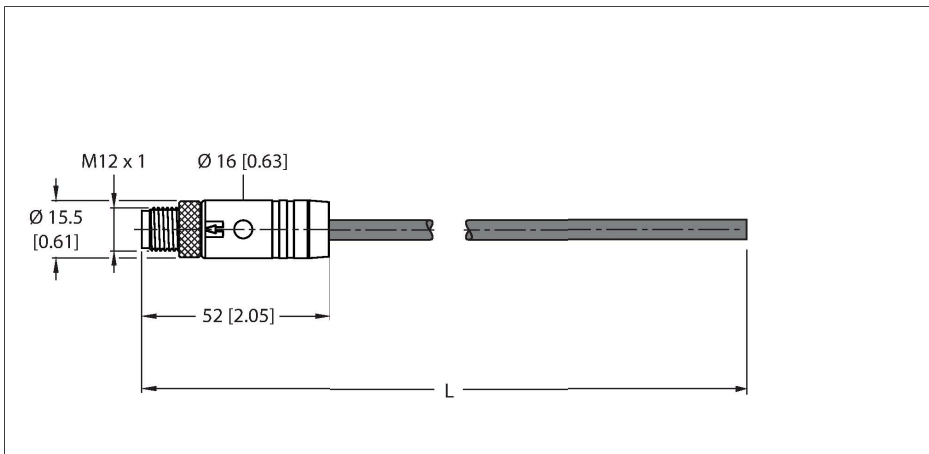


RSP46PSB-0.5/TXL

Supply Cable - M12 Power – Connection Cable



Technical data

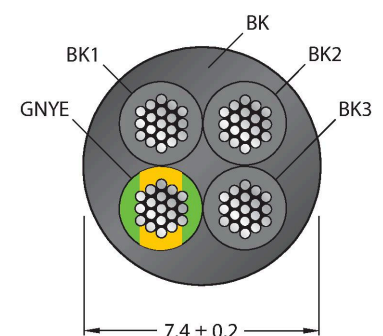
Type	RSP46PSB-0.5/TXL
ID	100031154
Connector A	Male, M12 × 1, Straight, S-coded
Number of pins	3+PE
Contacts	Copper-nickel, CuNi, Gold-plated
Contact carriers	Plastic, PBT GF, Black
Connector body	Plastic, TPE, Black
Coupling nut/screw	Brass, CuZn, Nickel-plated
Tightening torque (range)	0.5 ... 0.6 Nm (observe max. torque of mating connector!)
Mechanical lifespan	> 100 Mating cycles
Pollution degree	3
Protection class	IP65, IP67, IP69K, Only in screwed condition
Cable	
Cable diameter	Ø 7.4 mm ±0.20
Cable length	0.5 m
Cable jacket	PUR, Black
Core insulation	PP
Core cross-section	4 x 1.5 mm ²
Core colors	BK1, BK2, BK3, GNYE
Electrical properties at +20 °C	
Rated voltage	600 V
Current	16 A
Mechanical and chemical properties	
Bending radius (stationary installation)	≥ 4 x Ø
Bending radius (flexible use)	≥ 7 x Ø

Features



- M12 male connector, S-coded, straight, 4-pin (3+PE)
- Jacket material: PUR
- Jacket color: black
- Highly resistant to oils, coolants, lubricants and emulsions
- Suitable for use in drag chains
- Resistant to vibrations and shocks
- Flame retardant
- Halogen-free
- RoHS compliant
- UL approval
- Protection class: IP65, IP67, IP69K
- Cable length: 0.5 m

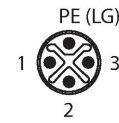
Cable Cross-Section



Contact assignment

Technical data

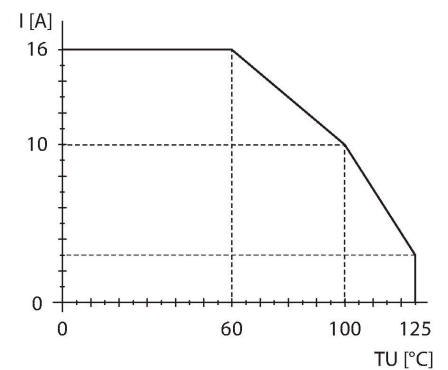
Bending cycles	≥ 10 million
Admissible acceleration	max. 5 m/s ²
Admissible travel path, horizontal	5 m (at 5 m/s ²)
Torsional stress	± 30 °/m
Ambient temperature (fixed)	-40...+80 °C
Ambient temperature (mobile)	-30...+80 °C
Ambient temperature (drag chain)	-20...+60 °C
Qualified for drag chain use	yes
Halogen-free	yes
Oil-resistant	yes
Flame-retardant	yes
Approvals	cULus



Circuit Diagram



Derating Curve



Accessories

Dimension drawing	Type	ID	Description
	LABEL-HOLDER-FLEX-PVC	100048170	PVC label holder for identification of extension cables (TEL/TXL product series); for cable diameters: min. 5 mm; dimensions 4 × 18 mm; delivery unit: 50 pcs. per package
	VH2-M12S-M4-2F4	100028588	Small h-splitter, M12 Power, S-coded, 3-pin + PE
	FW-ERKPM0414-PS-S-0810	100026332	Field-wireable female connector, M12 Power, S-coded, straight, 3-pin + PE, screw terminal connection, cable feedthrough 8.0 to 10 mm, core cross-section/terminal capacity 1.5 to 2.5 mm ² , plastic housing, metal retaining screw
	FW-ERKPM0414-PS-S-0608	100044183	Field-wireable female connector, M12 Power, S-coded, straight, 3-pin + PE, screw terminal connection, cable feedthrough 8.0 to 10 mm, core cross-section/terminal capacity 1.5 to 2.5 mm ² , plastic housing, metal retaining screw
	VH3-M12S-M4-3F4	100028592	Large H-splitter, M12 Power, S-coded, 3-pin + PE
	VT2-M12S-M4-2F4	100028580	T-splitter, M12 Power, S-coded, 3-pin + PE