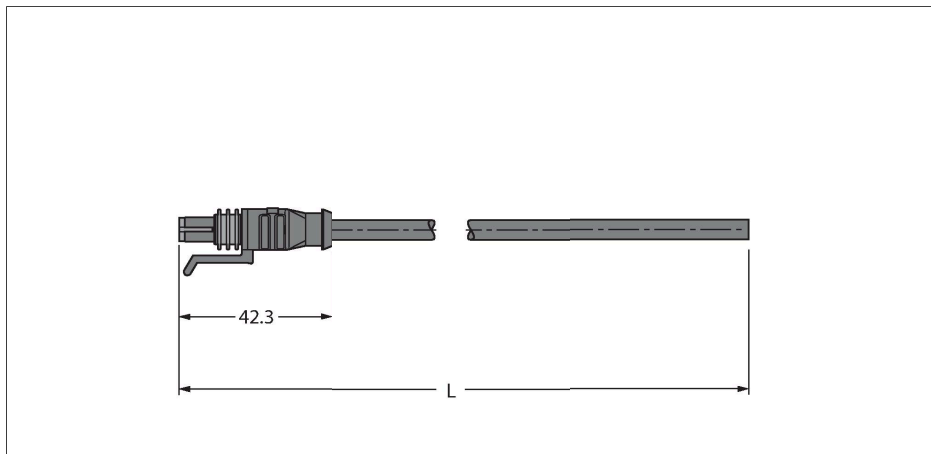


TSS-3S-A-10/TXL

Superseal Connector – Connection Cable



Features



- Superseal connector, female, straight, 3-pin
- Jacket material: TPE-U (PUR)
- Jacket color: black, similar to RAL 7021
- Suitable for drag chain use
- Flame retardant
- Halogen free acc. to DIN VDE 0472 part 815
- RoHS compliant
- Protection classes IP67 and IP69K
- Cable length: 10 m

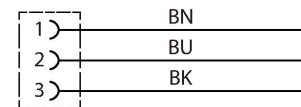
Contact assignment

Technical data

Type	TSS-3S-A-10/TXL
ID	100000487
Connector A	Female, Superseal, Straight
Number of pins	3
Contacts	Bronze, CuSn, Tinned
Contact carriers	Plastic, PA 6.6 GF, Red
Connector body	Plastic, TPU, UL 94, Black
Seal	Plastic, Silicone
Mechanical lifespan	> 100 Mating cycles
Protection class	IP67, IP69K, (plugged)
Cable	
Cable diameter	Ø 5.3 mm ±0.20
Cable length	10 m
Cable jacket	PUR, Black
Core insulation	PP
Core cross-section	3 x 0.75 mm ²
Arrangement of strands	42 x 0.15 mm
Core colors	BN, BU, BK
Electrical properties at +20 °C	
Rated voltage	24 V
Current	8 A
Mechanical and chemical properties	
Bending radius (stationary installation)	≥ 5 x Ø
Bending radius (flexible use)	≥ 10 x Ø
Bending cycles	≥ 4 million
Admissible acceleration	max. 10 m/s ²
Admissible traversing speed	3.33 m/s



Circuit Diagram



Technical data

Ambient temperature (fixed)	-40...+80 °C
Ambient temperature (mobile)	-25...+80 °C