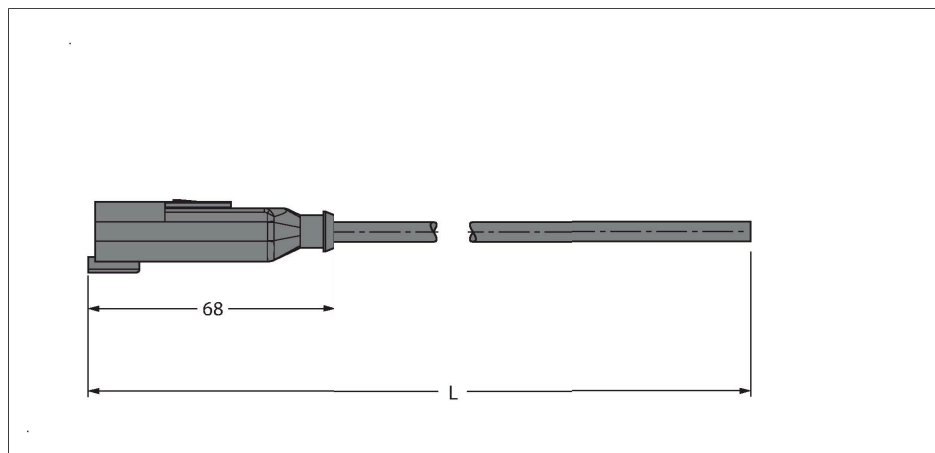


# DT04-4P-A-5/TXL

## Deutsch Connector – Connection Cable



### Features

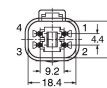


- Deutsch connector DT04, straight, 4-pin
- Jacket material: TPE-U (PUR)
- Jacket color: black, similar to RAL 7021
- Suitable for drag chain use
- Flame retardant
- Halogen free acc. to DIN VDE 0472 part 815
- RoHS compliant
- Protection classes IP67 and IP69K
- Cable length: 5.0 m

### Contact assignment

### Technical data

Type	DT04-4P-A-5/TXL
ID	100000446
Connector A	Male, Deutsch DT, Straight
Number of pins	4
Contacts	Brass, CuZn, Nickel-plated
Contact carriers	Plastic, Thermoplast, Yellow
Connector body	Plastic, TPU, UL 94, Black
Coupling nut/screw	Nickel-plated
Seal	Plastic, Silicone
Mechanical lifespan	> 100 Mating cycles
Protection class	IP67, IP69K, (plugged)
<b>Cable</b>	
Cable diameter	Ø 5.7 mm ±0.20
Cable length	5 m
Cable jacket	PUR, Black
Core insulation	PP
Core cross-section	4 x 0.75 mm <sup>2</sup>
Arrangement of strands	42 x 0.15 mm
Core colors	BN, WH, BU, BK
<b>Electrical properties at +20 °C</b>	
Rated voltage	230 V
Current	7 A
<b>Mechanical and chemical properties</b>	
Bending radius (flexible use)	≥ 6 x Ø
Bending cycles	≥ 2 million
Admissible acceleration	max. 10 m/s <sup>2</sup>
Admissible traversing speed	5 m/s



### Circuit Diagram



## Technical data

Ambient temperature (fixed)	-40...+80 °C
Ambient temperature (mobile)	-25...+80 °C