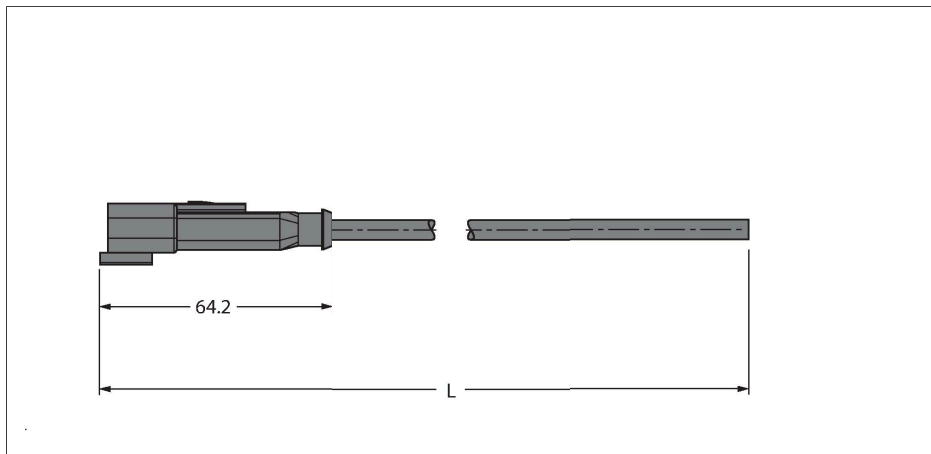


# DT04-2P-A-2/TXL

## Deutsch Connector – Connection Cable



### Features



- Deutsch connector DT04, straight, 2-pin
- Jacket material: TPE-U (PUR)
- Jacket color: black, similar to RAL 7021
- Suitable for drag chain use
- Flame retardant
- Halogen free acc. to DIN VDE 0472 part 815
- RoHS compliant
- Protection classes IP67 and IP69K
- Cable length: 2.0 m

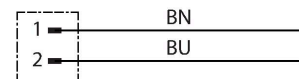
### Contact assignment

### Technical data

Type	DT04-2P-A-2/TXL
ID	100000249
Connector A	Male, Deutsch DT, Straight
Number of pins	2
Contacts	Brass, CuZn, Nickel-plated
Contact carriers	Plastic, Thermoplast, Yellow
Connector body	Plastic, TPU, UL 94, Black
Coupling nut/screw	Nickel-plated
Seal	Plastic, Silicone
Mechanical lifespan	> 100 Mating cycles
Protection class	IP67, IP69K, (plugged)
<b>Cable</b>	
Cable diameter	Ø 5 mm ±0.15
Cable length	2 m
Cable jacket	PUR, Black
Core insulation	PP
Core cross-section	2 x 0.75 mm <sup>2</sup>
Arrangement of strands	42 x 0.15 mm
Core colors	BN, BU
<b>Electrical properties at +20 °C</b>	
Rated voltage	230 V
Current	8 A
<b>Mechanical and chemical properties</b>	
Bending radius (stationary installation)	≥ 5 x Ø
Bending radius (flexible use)	≥ 10 x Ø
Bending cycles	≥ 4 million
Admissible acceleration	max. 10 m/s <sup>2</sup>



### Circuit Diagram



## Technical data

Admissible traversing speed	3.33 m/s
Ambient temperature (fixed)	-40...+80 °C
Ambient temperature (mobile)	-25...+80 °C