

## Compact Ultrasonic Sensors with NPN Output

Previously only available with PNP outputs, Turck's compact sensors now include products with NPN outputs. Available sensing ranges are 40cm and 1 meter, with teach-by-wire capabilities.

Please see the following pages for the data sheets for the product included in this extension.

Part Number	ID Number	Com- pact	Teach By Wire	Teach by Button	Teach via IO-Link	Sensing Range	Housing	Output
RU40U-M18M-UN8X2 -H1151	M1610080	X	X			40cm	18mm Barrel	NPN
RU100U-M18M-UN8X2 -H1151	M1610081	X	X			100cm	18mm Barrel	NPN

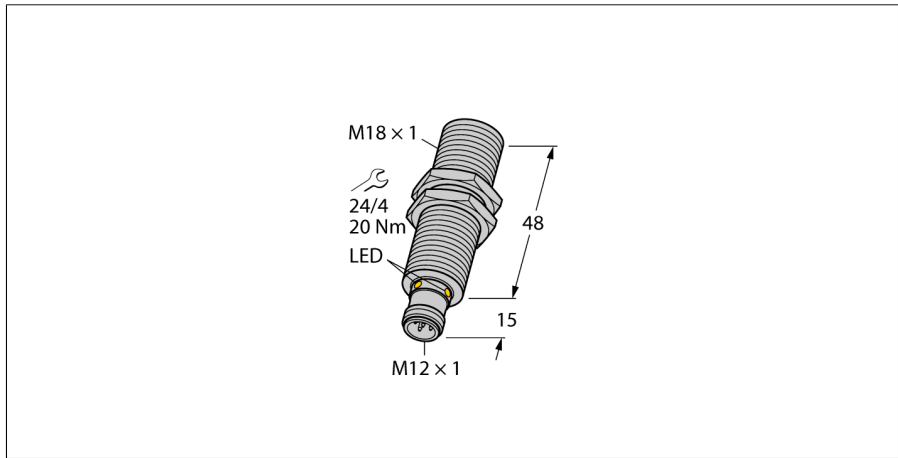
PRESS CONTACT

Paul Gilbertson  
 Web & Technical Content Administrator  
 Phone: 763-553-7300  
 Mail: paul.gilbertson@turck.com

CONTACT

Turck Inc.  
 3000 Campus Drive  
 Minneapolis, MN 55441  
 Mail: info@turck.com  
 Web: www.turck.us

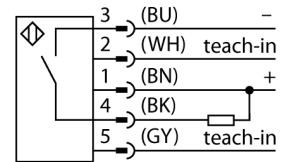
**Ultrasonic sensor**  
**diffuse mode sensor**  
**RU40U-M18M-UN8X2-H1151**



- Smooth sonic transducer face
- Cylindrical housing M18, potted
- Connection via M12 x 1 male
- Temperature compensation
- Blind zone: 2.5 cm
- Range: 40 cm
- Resolution: 0.5 mm
- Sonic cone angle: 9°
- 1xSchaltausgang, NPN
- Einstellbar über Teach-In
- Parametrierbar Schließer/Öffner

<b>Type code</b>	RU40U-M18M-UN8X2-H1151
Ident-No.	1610080
<b>Pass speed</b>	≤ 1.5 m/s
Repeatability	≤ 0.15 % of full scale
Edge lengths of the nominal actuator	20 mm
Hysteresis	≤ 5 mm
Ambient temperature	-25...+70 °C
Storage temperature	-40...+80 °C
<b>Operating voltage</b>	15... 30VDC
Residual ripple	≤ 10 % U <sub>in</sub>
DC rated operational current	≤ 150 mA
No-load current I <sub>0</sub>	≤ 50 mA
Short-circuit protection	yes/ cyclic
Voltage drop at I <sub>0</sub>	≤ 2.5 V
Wire breakage / Reverse polarity protection	yes/ yes
Output function	5-wire, NO/NC , NPN
Output 1	Switching output
Readiness delay	≤ 300 ms
<b>Construction</b>	Threaded barrel, M18
Dimensions	63 mm
Housing material	Metal, CuZn, nickel-plated
Electrical connection	Flange connector, M12 x 1
Protection class	IP67
MTTF	281 years acc. to SN 29500 (Ed. 99) 40 °C
<b>Switching state</b>	LED yellow

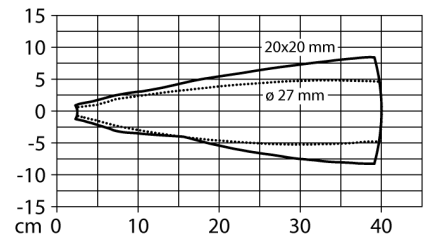
**Wiring Diagram**



**Functional principle**

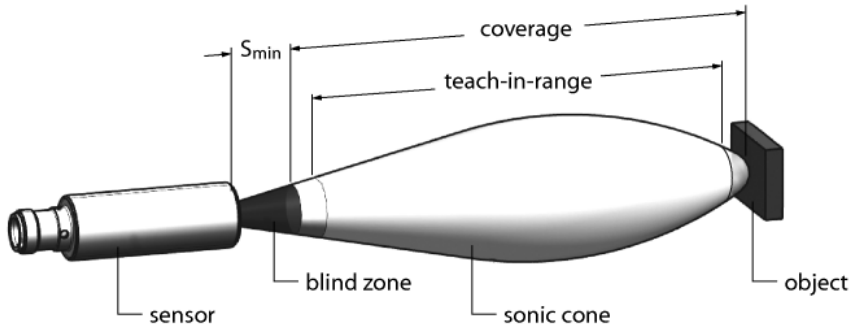
Ultrasonic sensors capture a multitude of objects contactless and wear-free with ultrasonic waves. It does not matter whether the object is transparent or opaque, metallic or non-metallic, firm, liquid or powdery. Even environmental conditions such as spray, dust or rain hardly affect their function.

**Sonic Cone**



**Ultrasonic sensor  
diffuse mode sensor  
RU40U-M18M-UN8X2-H1151**

**Mounting instructions / Description**



**Setting the switchpoint**

The ultrasonic sensor features a switching output with adjustable switchpoint. The green and yellow LED indicate whether the sensor has detected an object.

One switchpoint is taught. This must be within the sensing range. In this operating mode the background is suppressed.

**Easy-Teach**

- Connect teach adapter TX1-Q20L60 between sensor and connection cable
- Place object at the end of the switching range
- Press and hold button for at least 2 s against Gnd

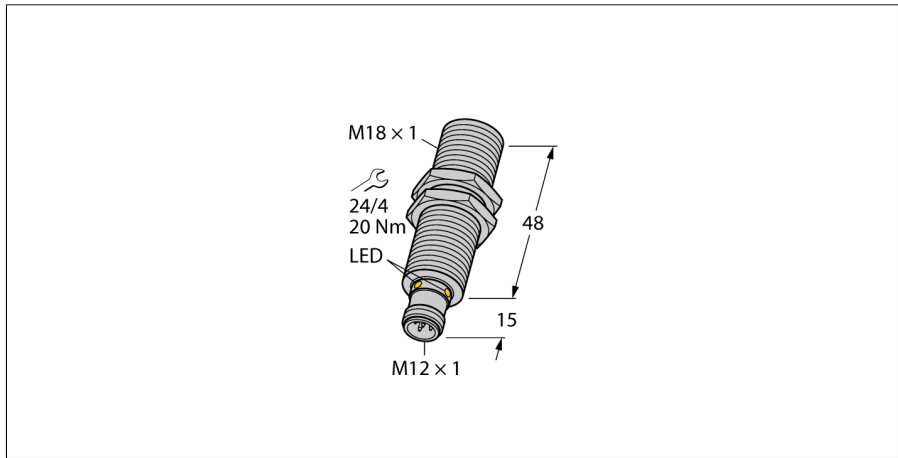
After successful teaching, the green LED flashes at 3 Hz and the sensor runs automatically in normal mode.

**LED response**

In standard operating mode both LEDs signal the switching state of the sensor.

- green: object is in the detection range but not in the switching range
- yellow: object is in the switching range
- off: object is outside the detection range or signal loss

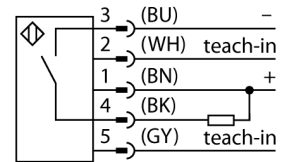
**Ultrasonic sensor**  
**diffuse mode sensor**  
**RU100U-M18M-UN8X2-H1151**



- Smooth sonic transducer face
- Cylindrical housing M18, potted
- Connection via M12 x 1 male
- Temperature compensation
- Blind zone: 15 cm
- Range: 100 cm
- Resolution: 1 mm
- Sonic cone angle: 16°
- 1xSchaltausgang, NPN
- Einstellbar über Teach-In
- Parametrierbar Schließer/Öffner

<b>Type code</b>	RU100U-M18M-UN8X2-H1151
Ident-No.	1610081
<b>Pass speed</b>	≤ 1.5 m/s
Repeatability	≤ 0.15 % of full scale
Edge lengths of the nominal actuator	100 mm
Hysteresis	≤ 10 mm
Ambient temperature	-25...+70 °C
Storage temperature	-40...+80 °C
<b>Operating voltage</b>	15... 30VDC
Residual ripple	≤ 10 % U <sub>in</sub>
DC rated operational current	≤ 150 mA
No-load current I <sub>0</sub>	≤ 50 mA
Short-circuit protection	yes/ cyclic
Voltage drop at I <sub>0</sub>	≤ 2.5 V
Wire breakage / Reverse polarity protection	yes/ yes
Output function	5-wire, NO/NC , NPN
Output 1	Switching output
Readiness delay	≤ 300 ms
<b>Construction</b>	Threaded barrel, M18
Dimensions	63 mm
Housing material	Metal, CuZn, nickel-plated
Electrical connection	Flange connector, M12 x 1
Protection class	IP67
MTTF	281 years acc. to SN 29500 (Ed. 99) 40 °C
<b>Switching state</b>	LED yellow

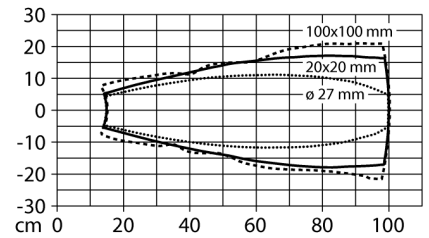
**Wiring Diagram**



**Functional principle**

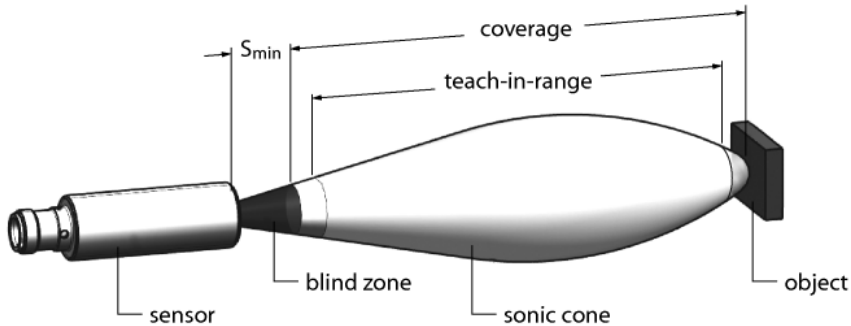
Ultrasonic sensors capture a multitude of objects contactless and wear-free with ultrasonic waves. It does not matter whether the object is transparent or opaque, metallic or non-metallic, firm, liquid or powdery. Even environmental conditions such as spray, dust or rain hardly affect their function.

**Sonic Cone**



**Ultrasonic sensor  
diffuse mode sensor  
RU100U-M18M-UN8X2-H1151**

**Mounting instructions / Description**



**Setting the switchpoint**

The ultrasonic sensor features a switching output with adjustable switchpoint. The green and yellow LED indicate whether the sensor has detected an object.

One switchpoint is taught. This must be within the sensing range. In this operating mode the background is suppressed.

**Easy-Teach**

- Connect teach adapter TX1-Q20L60 between sensor and connection cable
- Place object at the end of the switching range
- Press and hold button for at least 2 s against Gnd

After successful teaching, the green LED flashes at 3 Hz and the sensor runs automatically in normal mode.

**LED response**

In standard operating mode both LEDs signal the switching state of the sensor.

- green: object is in the detection range but not in the switching range
- yellow: object is in the switching range
- off: object is outside the detection range or signal loss